

GENERAL NOTES

CONCRETE: 4000 PSI TYPE II CEMENT

WALL REINFORCING: ASTM C-478

BOTTOM REINFORCING: #4@12" O.C.E.W. (*)

*** GRADE 40 OR EQUIVALENT WELDED WIRE MESH**

**** VARIABLE GRADE ADJUSTMENT BY GRADE RINGS OR BRICK AS REQUIRED**

INSET

NOT TO SCALE



**BRUNSWICK-GLYNN COUNTY
JOINT WATER & SEWER
COMMISSION**

700 Gloucester Street, Suite 300
Brunswick, Georgia 31520

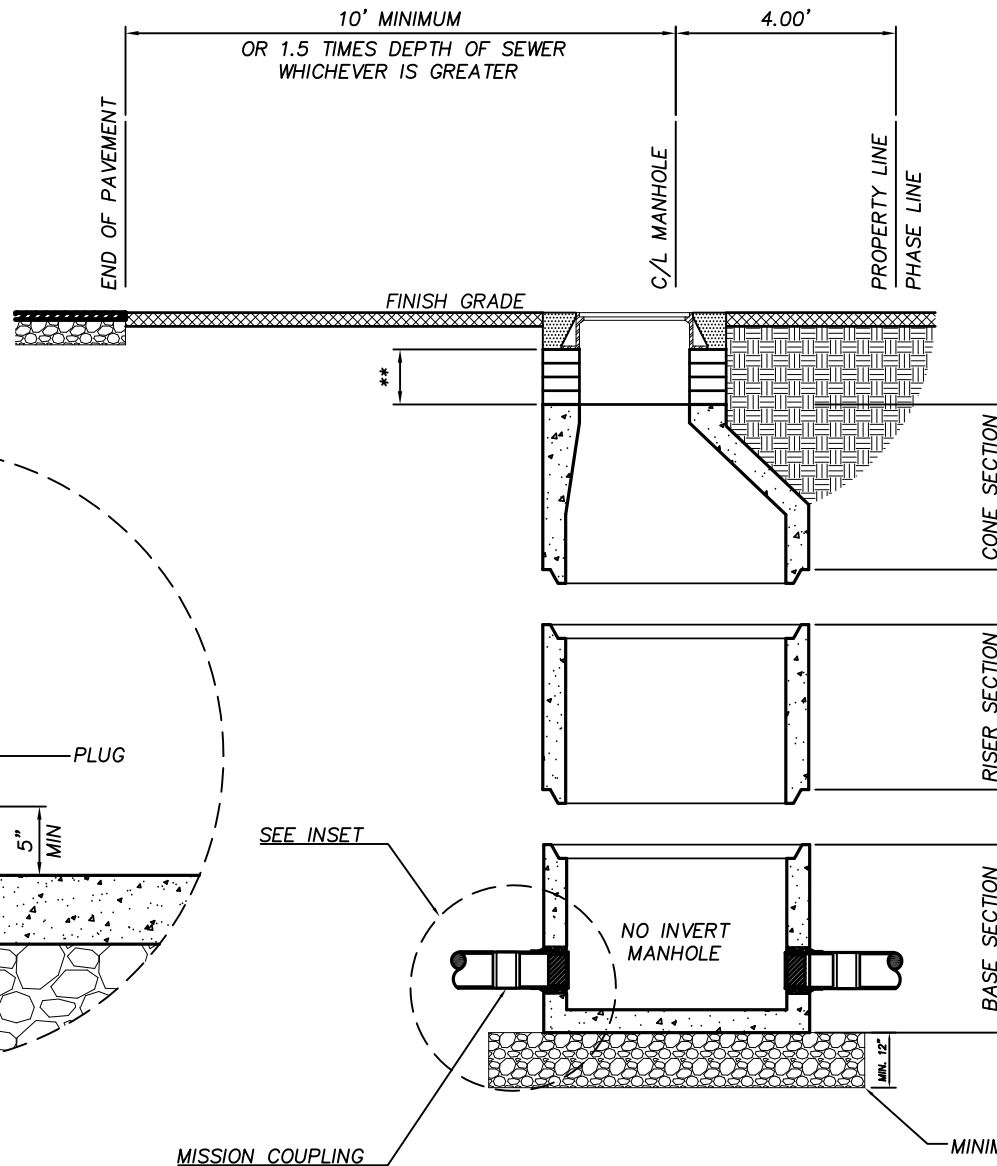
Phone: (912) 261-7110
Fax: (912) 261-7178

Website: www.bgjwsc.org

GRAVITY MAIN STUB OUT MANHOLE

JWSC STANDARD DETAIL 3-1

Date: AUGUST 2011



GENERAL NOTES

- CONCRETE: 4000 PSI TYPE II CEMENT
- WALL REINFORCING: ASTM C-478
- BOTTOM REINFORCING: #4@12" O.C.E.W. (*)
- CUT OUT EXISTING SEWER MAIN
- INSTALL BASE SECTIONS WITH RUBBER BOOTS TO MATCH PIPE INVERT
- INSTALL NEW PIPE AND CONNECT TO THE EXISTING SEWER MAIN WITH A MISSION ADJUSTABLE REPAIR COUPLING (ARC) OR APPROVED EQUAL
- REMOVE PLUG AFTER INSTALLATION IS COMPLETE
- * GRADE 40 OR EQUIVALENT WELDED WIRE MESH
- ** VARIABLE GRADE ADJUSTMENT BY PRECAST GRADE RINGS

NOT TO SCALE



**BRUNSWICK-GLYNN COUNTY
JOINT WATER & SEWER
COMMISSION**

1703 Gloucester Street Phone: (912) 261-7110
 Brunswick, Georgia 31520 Fax: (912) 261-7178
 Website: www.bgjwsc.org

CUT - IN MANHOLE BASE

JWSC STANDARD DETAIL 3-1A

Date: AUGUST 2015

GENERAL NOTES

CONCRETE: 4000 PSI TYPE II CEMENT

WALL REINFORCING: ASTM C-478

BOTTOM REINFORCING: #4@12" O.C.E.W. (*)

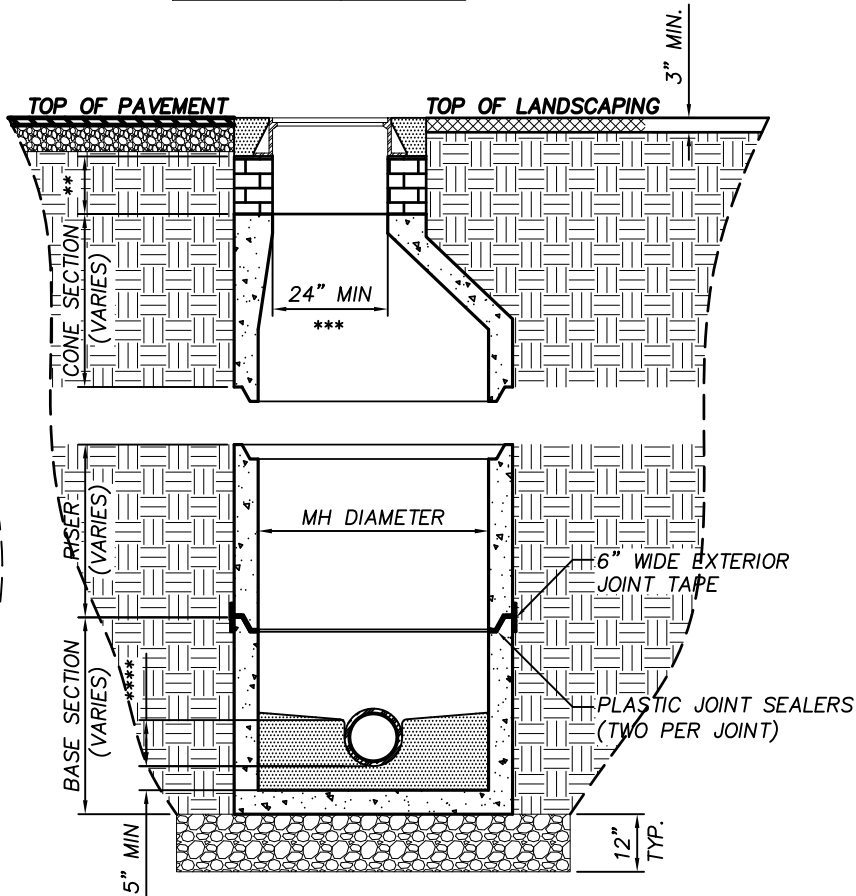
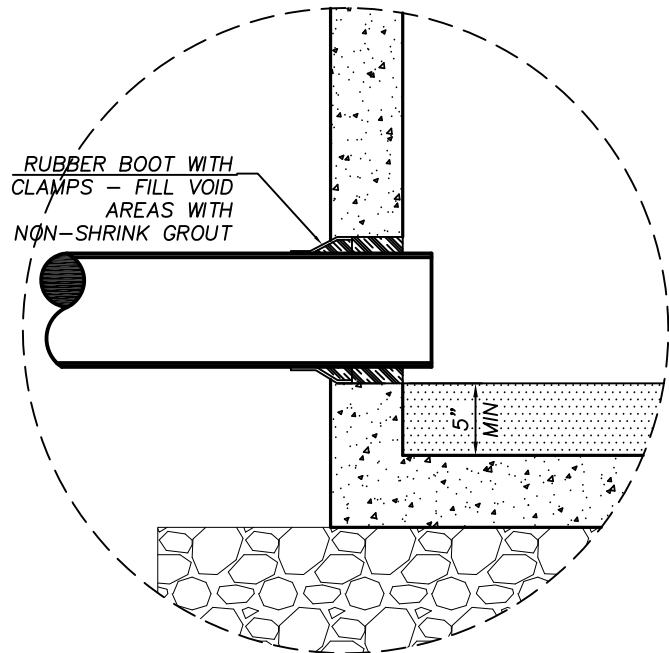
*** GRADE 40 OR EQUIVALENT WELDED WIRE MESH**

**** VARIABLE GRADE ADJUSTMENT BY PRECAST GRADE RINGS**

***** INCREASE TO 32" ON TRUNK LINES WHERE SEWER IS 18" IN DIAMETER OR GREATER.**

****** 0.8 X PIPE O.D.**

PIPE SIZE	MANHOLE DIAMETER
6" THRU 15"	4'-0"
18" THRU 30"	5'-0"
36" THRU 48"	6'-0"
> 48"	8'-0"



STANDARD MANHOLE SECTION

NOT TO SCALE



**BRUNSWICK-GLYNN COUNTY
JOINT WATER & SEWER
COMMISSION**

700 Gloucester Street, Suite 300 Phone: (912) 261-7110
Brunswick, Georgia 31520 Fax: (912) 261-7178
Website: www.bgjwsc.org

STANDARD MANHOLE SECTION

JWSC STANDARD DETAIL 3-2A

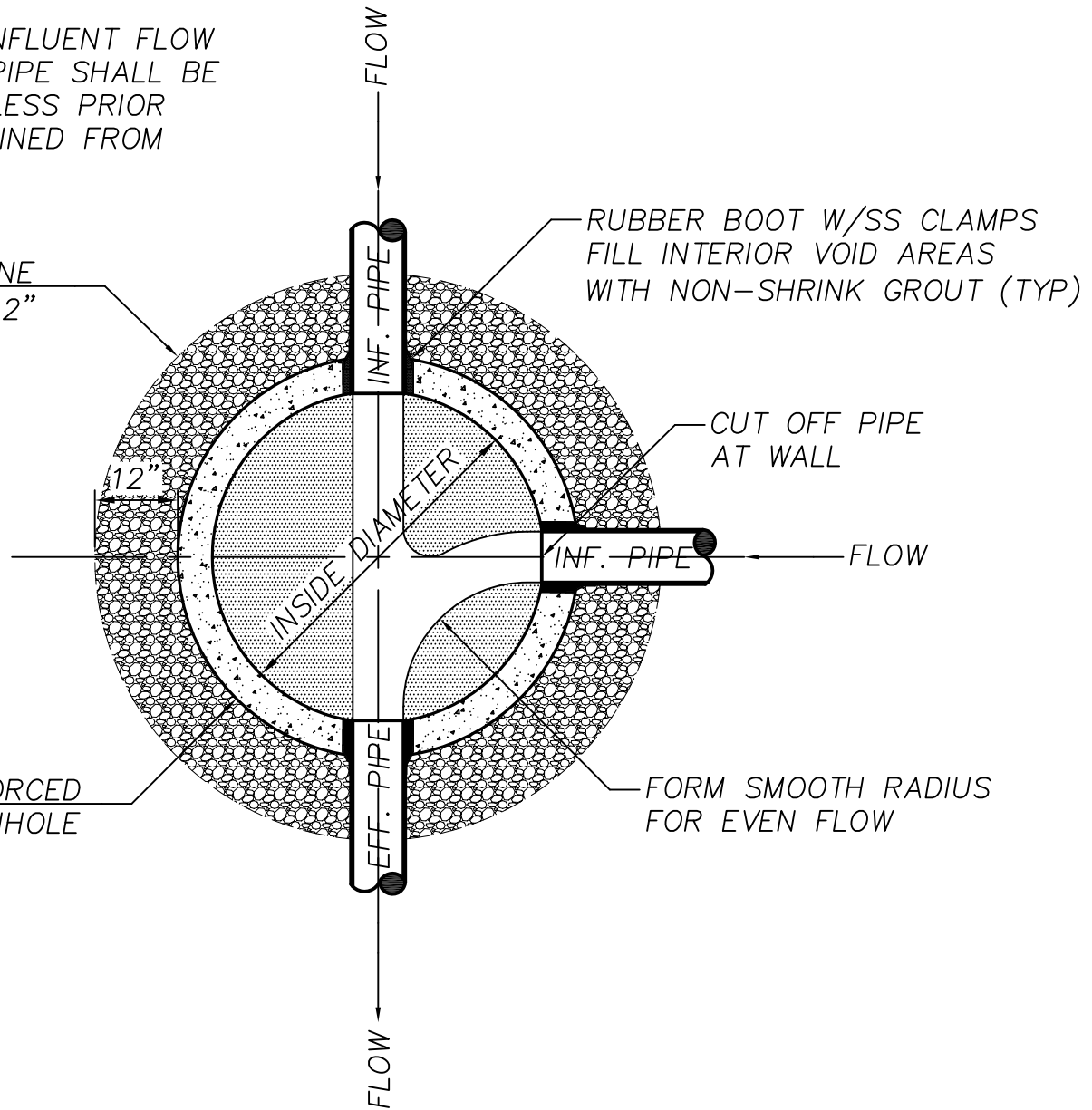
Date: AUGUST 2011

NOTE:
 THE ANGLE BETWEEN ALL INFLUENT FLOW CHANNELS AND EFFLUENT PIPE SHALL BE BETWEEN 90° AND 180° UNLESS PRIOR APPROVAL HAS BEEN OBTAINED FROM THE JWSC

LEVELING COURSE #57 STONE
 MINIMUM THICKNESS - 12"

PIPE SIZE	MANHOLE DIAMETER
6" THRU 15"	4'-0"
18" THRU 30"	5'-0"
36" THRU 48"	6'-0"
> 48"	8'-0"

PRECAST REINFORCED CONCRETE MANHOLE



NOT TO SCALE



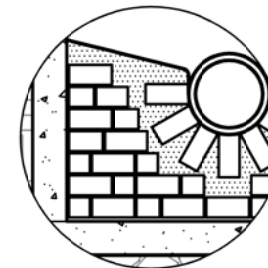
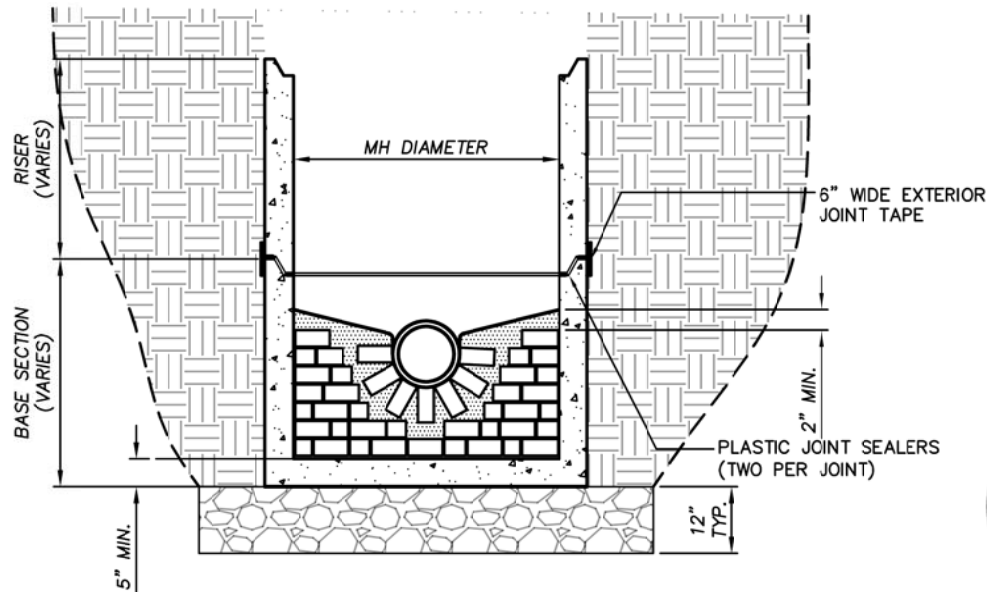
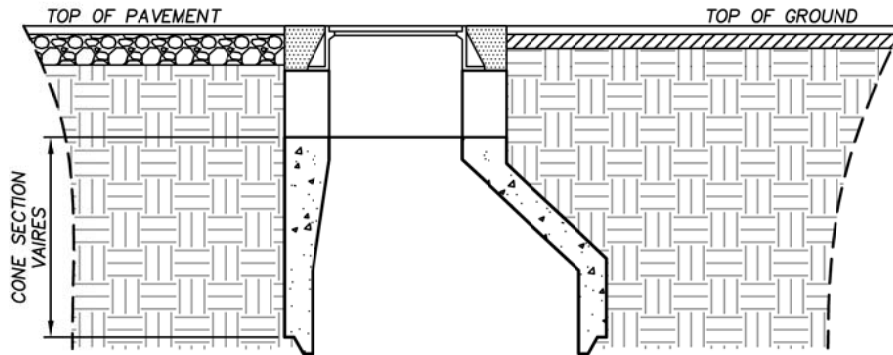
BRUNSWICK-GLYNN COUNTY
 JOINT WATER & SEWER
 COMMISSION

700 Gloucester Street, Suite 300 Phone: (912) 261-7110
 Brunswick, Georgia 31520 Fax: (912) 261-7178
 Website: www.bgjwsc.org

STANDARD MANHOLE PLAN

JWSC STANDARD DETAIL 3-2B

Date: AUGUST 2011



PLACE BRICK ON END AROUND
INVERT AT $\frac{3}{8}$ INCH SPACING

GENERAL NOTES

CONCRETE USED FOR INVERTS MUST NOT
EXCEED 3 PARTS SAND TO 1 PART
PORTLAND CEMENT.
(MORTAR IS NOT ALLOWED)

PRECAST INVERTS ARE ACCEPTABLE

ENSURE A 0.2 FOOT DROP ACROSS INVERT

INVERTS FOR MANHOLES RECEIVING
FORCEMAINS SHALL BE SIMILARLY
CONSTRUCTED.

MAXIMUM GROUT SPACING BETWEEN BRICK
SHALL BE $\frac{3}{8}$ "

PIPE SIZE	DEFLECTION	MIN. MH DIA.
8 INCH & 15 INCH	0° - 90°	4' - 0"
18 INCH	0° - 60°	4' - 0"
18 INCH	60° - 90°	5' - 0"
21 INCH & 24 INCH	0° - 60°	5' - 0"
21 INCH & 24 INCH	60° - 90°	6' - 0"

NOT TO SCALE



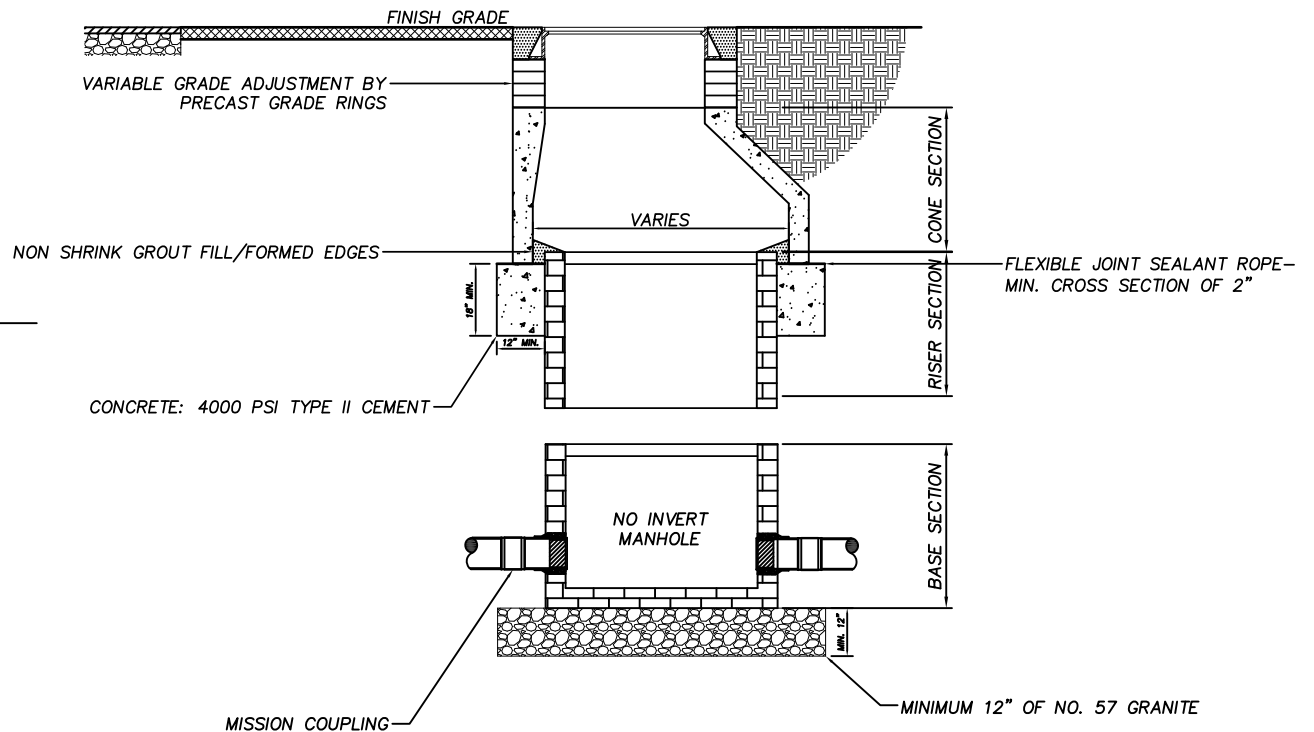
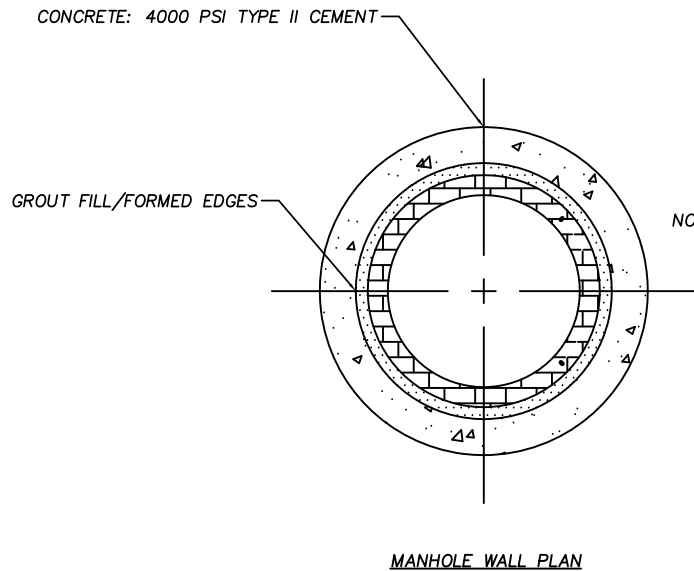
**BRUNSWICK-GLYNN COUNTY
JOINT WATER & SEWER
COMMISSION**

1703 Gloucester Street Phone: (912) 261-7110
Brunswick, Georgia 31520 Fax: (912) 261-7178
Website: www.bgjwsc.org

Date: JUNE 2016

STANDARD MANHOLE SECTION

JWSC STANDARD DETAIL 3-2C



GENERAL NOTES:

CONTRACTOR TO MEASURE O.D. OF EXISTING BRICK MANHOLE AND INSTALL THE NEXT NOMINAL SIZE CONE SECTION.

FOOTER MUST SET A MIN. 72 HOURS BEFORE THE PRECAST SECTION IS INSTALLED.

INSTALL FLEXIBLE BUTYL RUBBER SEALANT BETWEEN THE FOOTER AND PRECAST CONE.

FOR CORROSION PROTECTION, STRUCTURE IS TO BE LINED WITH JWSC APPROVED COATING.

NOT TO SCALE



**BRUNSWICK-GLYNN COUNTY
JOINT WATER & SEWER
COMMISSION**

1703 Gloucester Street
Brunswick, Georgia 31520

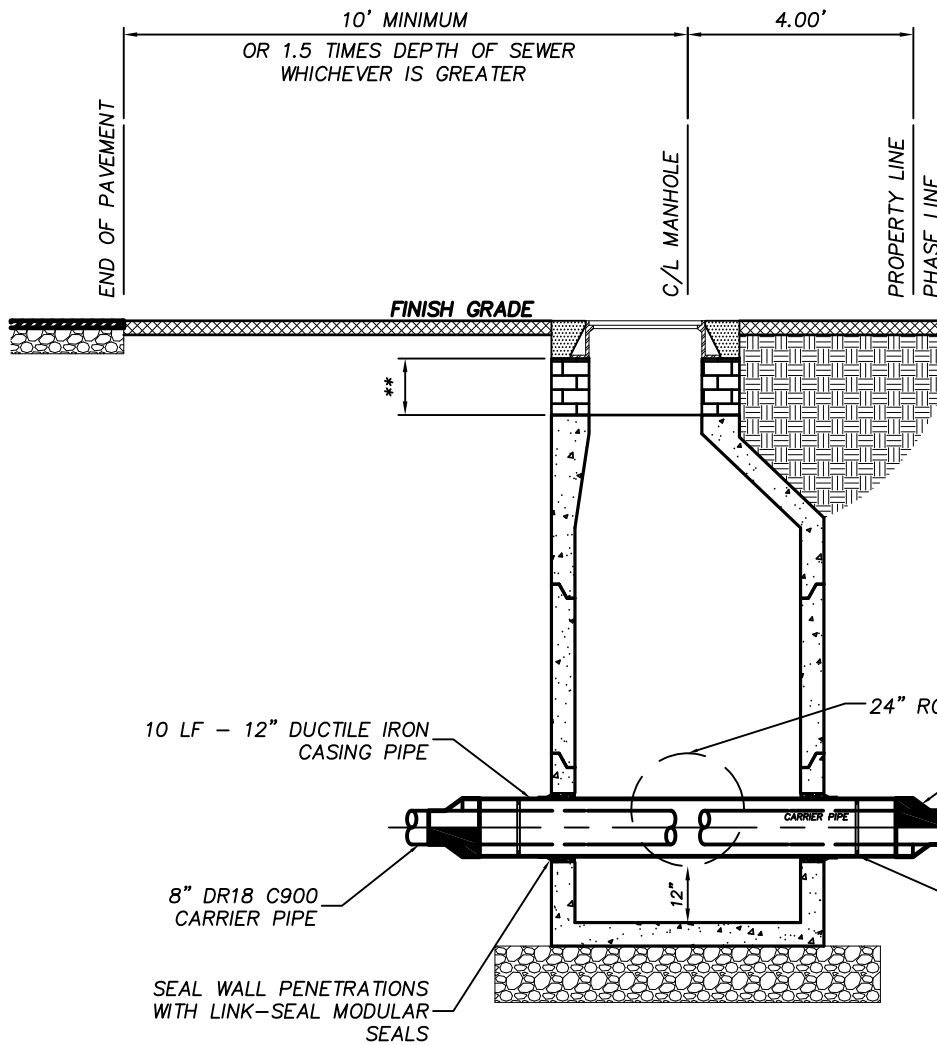
Phone: (912) 261-7110
Fax: (912) 261-7178

Website: www.bgjwsc.org

**BRICK TO PRECAST MH TRANSITION
DETAIL**

JWSC STANDARD DETAIL 3-2D

Date: MAY 2017



GENERAL NOTES

CONCRETE: 4000 PSI TYPE II CEMENT

WALL REINFORCING: ASTM C-478

BOTTOM REINFORCING: #4@12" O.C.E.W. (*)

*** GRADE 40 OR EQUIVALENT WELDED WIRE MESH**

**** VARIABLE GRADE ADJUSTMENT BY GRADE RINGS OR BRICK AS REQUIRED**

CONFLICT MANHOLE

NOT TO SCALE



**BRUNSWICK-GLYNN COUNTY
JOINT WATER & SEWER
COMMISSION**

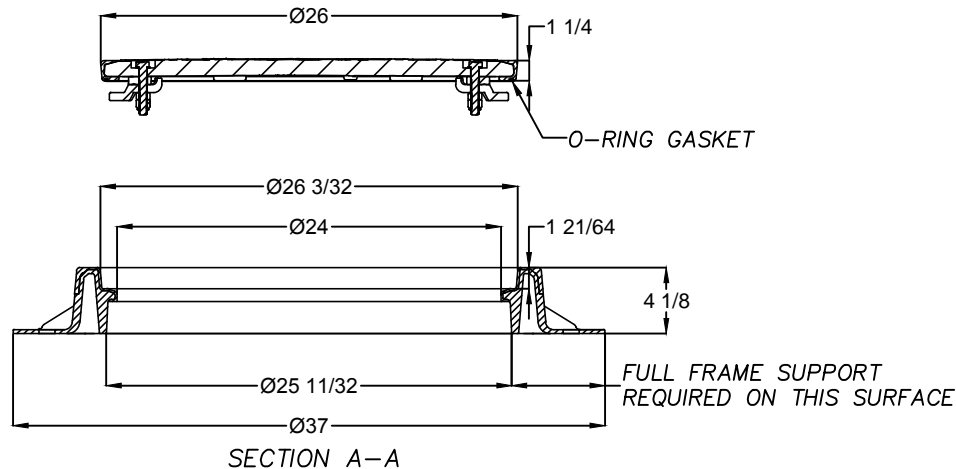
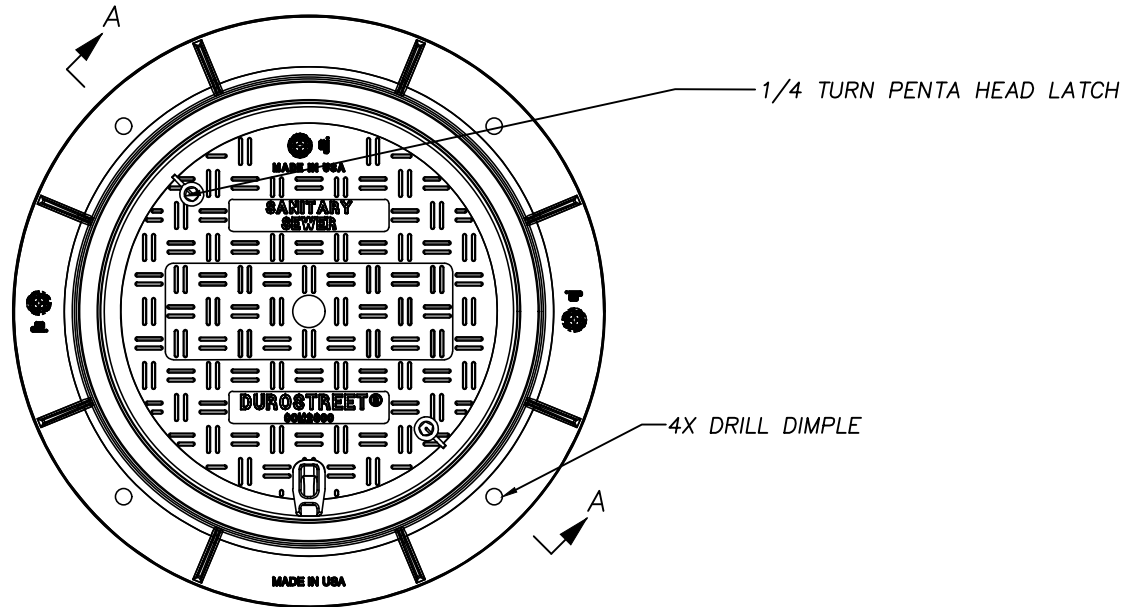
1703 Gloucester Street, Phone: (912) 261-7110
Brunswick, Georgia 31520 Fax: (912) 261-7178
Website: www.bgjwsc.org

CONFLICT MANHOLE DETAIL

JWSC STANDARD DETAIL 3-2E

Date: MARCH 2019

2600 COMPOSITE ASSEMBLY



GENERAL NOTES:

PRODUCT NUMBER: COM260318A01

DESIGN FEATURES:

- LOAD RATING - H25 (50,000LB)
- ESTIMATED WEIGHT - 70LB
- REQUIRED ACCESSORY:
 - 1 3/16" PENTA-HEAD WRENCH - NOT INCLUDED

MAJOR COMPONENTS: COM260210
COM260318

NOT TO SCALE



**BRUNSWICK-GLYNN COUNTY
JOINT WATER & SEWER
COMMISSION**

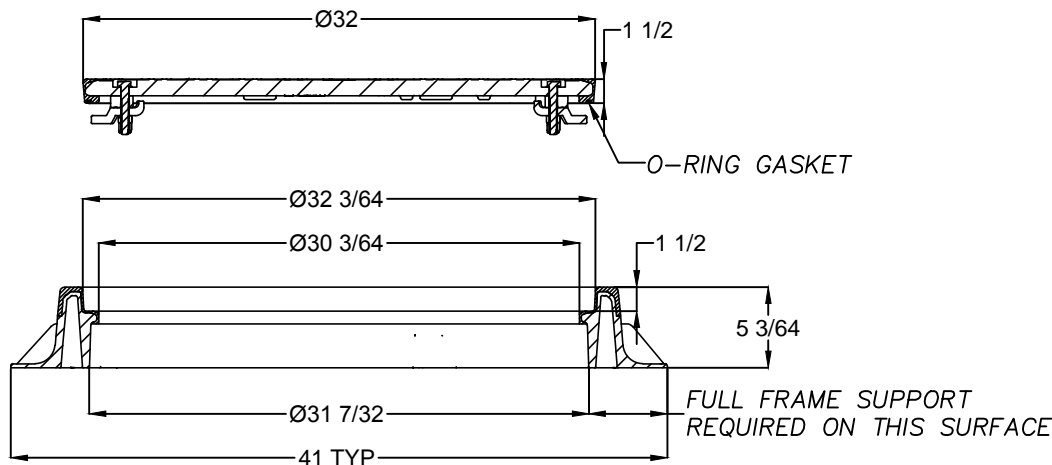
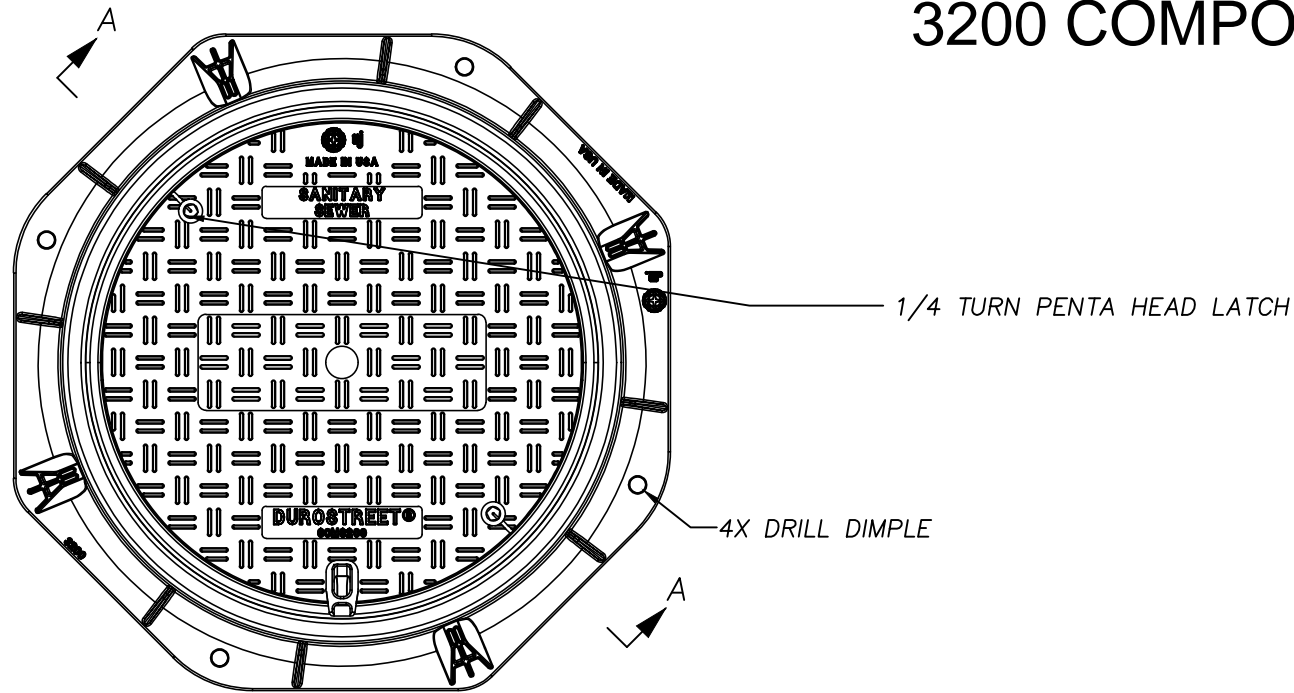
1703 Gloucester Street Phone: (912) 261-7110
Brunswick, Georgia 31520 Fax: (912) 261-7178
Website: www.bgjwsc.org

MANHOLE FRAME & COVER - 24" OPENING

JWSC STANDARD DETAIL 3-2F

Date: OCTOBER, 2019

3200 COMPOSITE ASSEMBLY



SECTION A-A

GENERAL NOTES:

PRODUCT NUMBER: COM320155A01

DESIGN FEATURES:

- LOAD RATING - H25 (50,000LB)
- ESTIMATED WEIGHT - 109LB
- REQUIRED ACCESSORY:
- $\frac{13}{16}$ " PENTA-HEAD WRENCH - NOT INCLUDED

MAJOR COMPONENTS: COM320010
COM320155

NOT TO SCALE



**BRUNSWICK-GLYNN COUNTY
JOINT WATER & SEWER
COMMISSION**

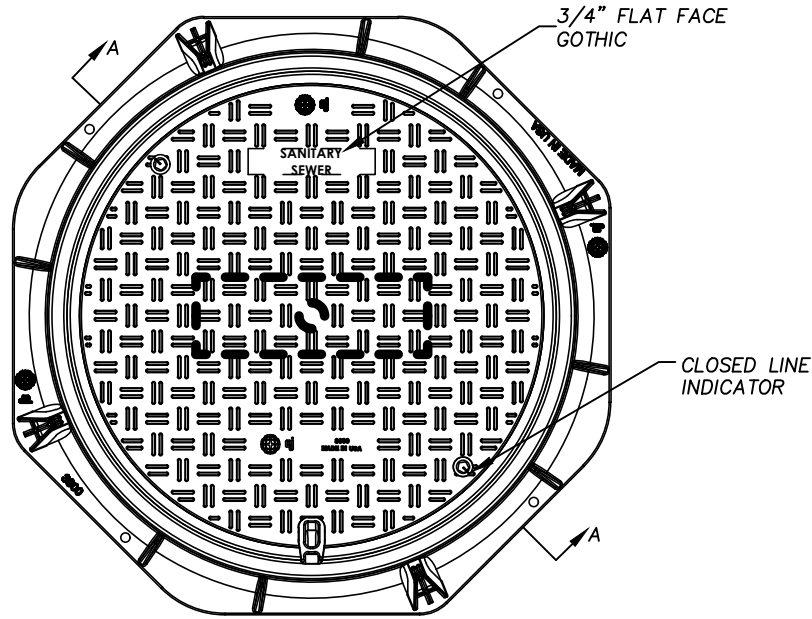
1703 Gloucester Street Phone: (912) 261-7110
Brunswick, Georgia 31520 Fax: (912) 261-7178
Website: www.bgjwsc.org

MANHOLE FRAME & COVER - 30" OPENING

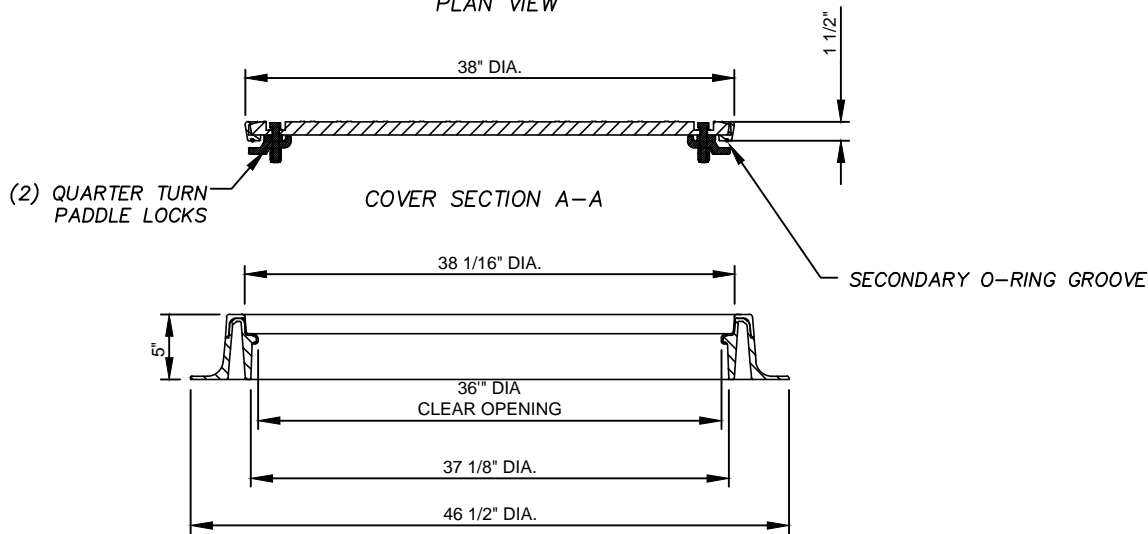
JWSC STANDARD DETAIL 3-2G

Date: OCTOBER, 2019

3800 COMPOSITE ASSEMBLY



PLAN VIEW



GENERAL NOTES:

PRODUCT NUMBER: COM380224A01

DESIGN FEATURES:

- LOAD RATING - H20 (PER AASHTO M306)
- ESTIMATED WEIGHT - COVER 70LB - FRAME 45LB

NOT TO SCALE



**BRUNSWICK-GLYNN COUNTY
JOINT WATER & SEWER
COMMISSION**

1703 Gloucester Street
Brunswick, Georgia 31520

Phone: (912) 261-7110
Fax: (912) 261-7178
Website: www.bgjwsc.org

MANHOLE FRAME & COVER - 36" OPENING

JWSC STANDARD DETAIL 3-2

Date: OCTOBER, 2019

GENERAL NOTES

CONCRETE: 4000 PSI TYPE II CEMENT

WALL REINFORCING: ASTM C-478

BOTTOM REINFORCING: #4@12" O.C.E.W. (*)

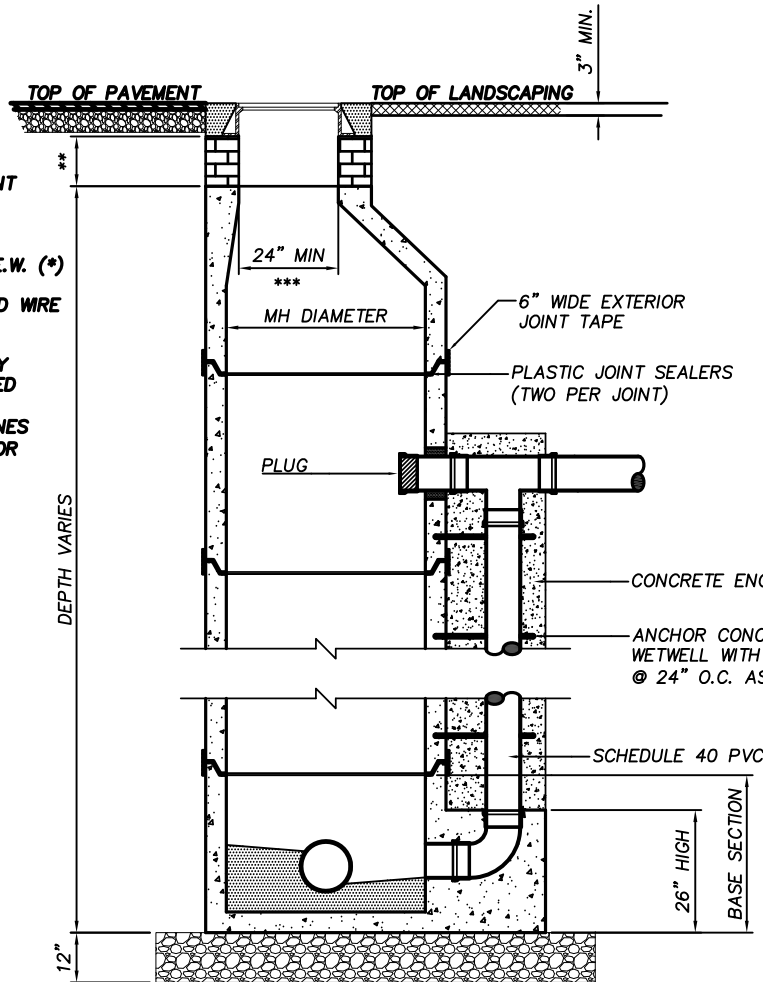
*** GRADE 40 OR EQUIVALENT WELDED WIRE MESH**

**** VARIABLE GRADE ADJUSTMENT BY GRADE RINGS OR BRICK AS REQUIRED**

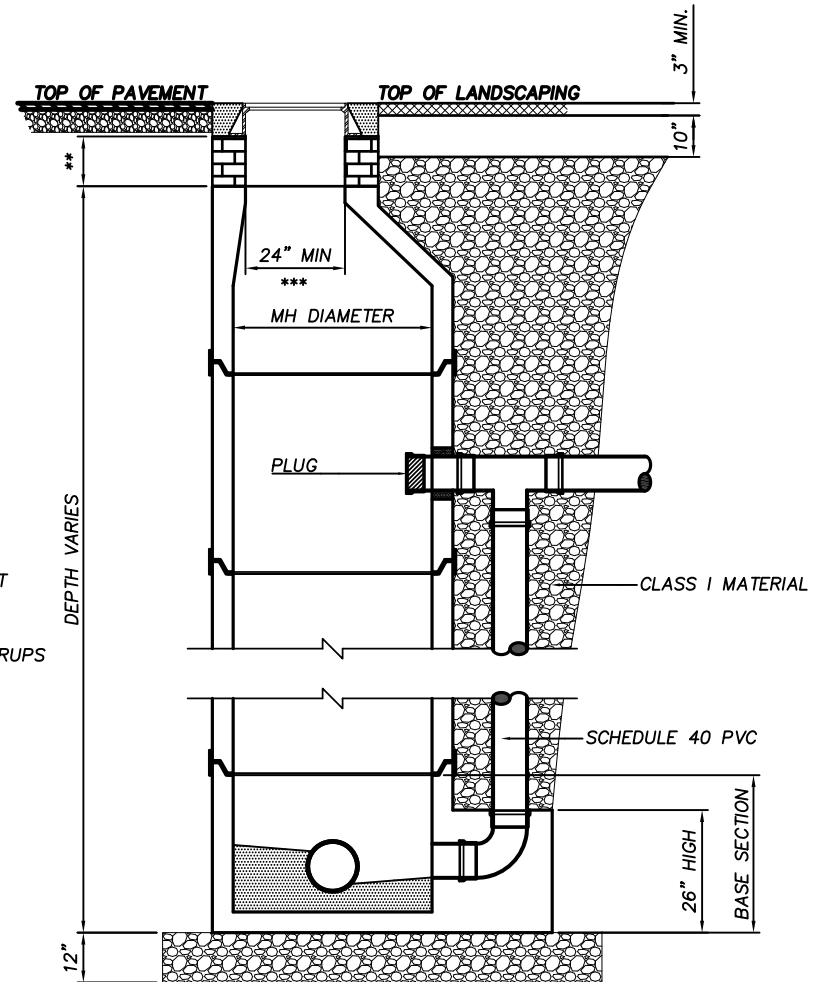
***** INCREASE TO 32" ON TRUNK LINES WHERE SEWER IS 18" IN DIAMETER OR GREATER.**

****** 0.8 X PIPE O.D.**

PIPE SIZE	MANHOLE DIAMETER
6" THRU 15"	4'-0"
18" THRU 30"	5'-0"
36" THRU 48"	6'-0"
> 48"	8'-0"



OUTSIDE DROPS GREATER THAN 10 FEET



OUTSIDE DROPS 10 FEET OR LESS

NOT TO SCALE



**BRUNSWICK-GLYNN COUNTY
JOINT WATER & SEWER
COMMISSION**

700 Gloucester Street, Suite 300
Brunswick, Georgia 31520

Phone: (912) 261-7110
Fax: (912) 261-7178

Website: www.bgjwsc.org

OUTSIDE DROP MANHOLE SECTION

JWSC STANDARD DETAIL 3-3A

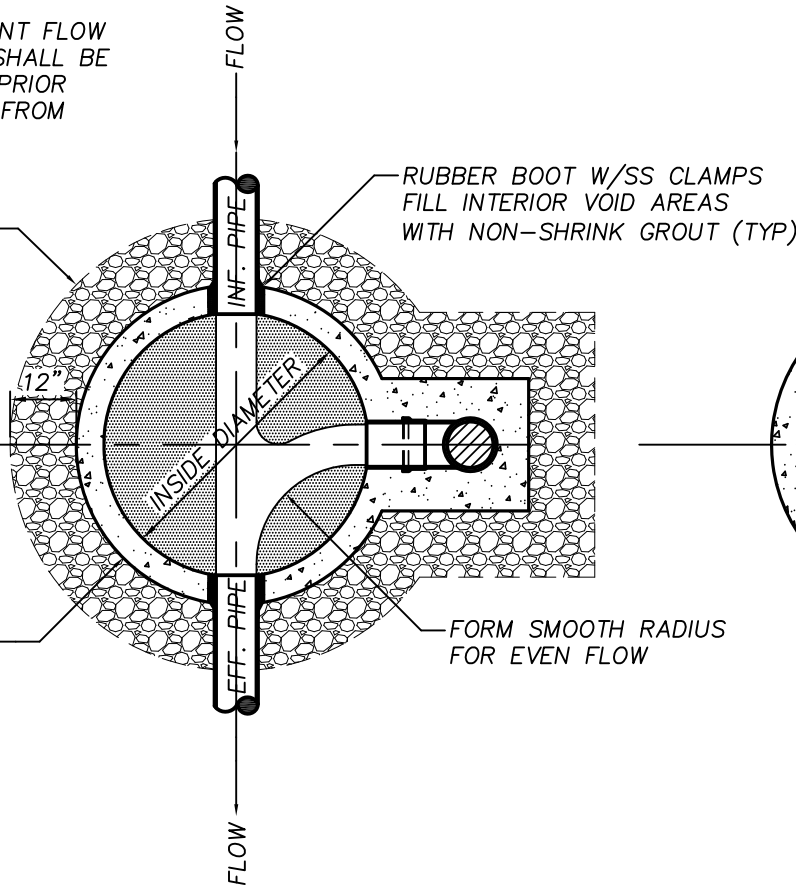
Date: AUGUST 2011

NOTE:
THE ANGLE BETWEEN ALL INFLUENT FLOW CHANNELS AND EFFLUENT PIPE SHALL BE BETWEEN 90° AND 180° UNLESS PRIOR APPROVAL HAS BEEN OBTAINED FROM THE JWSC

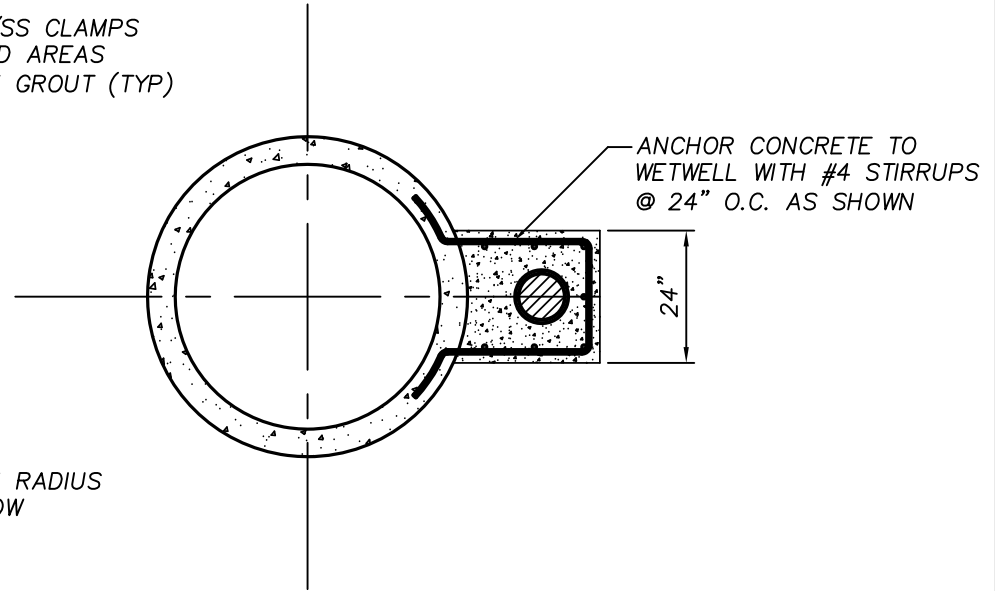
LEVELING COURSE #57 STONE
MINIMUM THICKNESS - 12"

PIPE SIZE	MANHOLE DIAMETER
6" THRU 15"	4'-0"
18" THRU 30"	5'-0"
36" THRU 48"	6'-0"
> 48"	8'-0"

PRECAST REINFORCED
CONCRETE MANHOLE



OUTSIDE DROP MANHOLE BASE PLAN



OUTSIDE DROP MANHOLE WALL PLAN

NOT TO SCALE



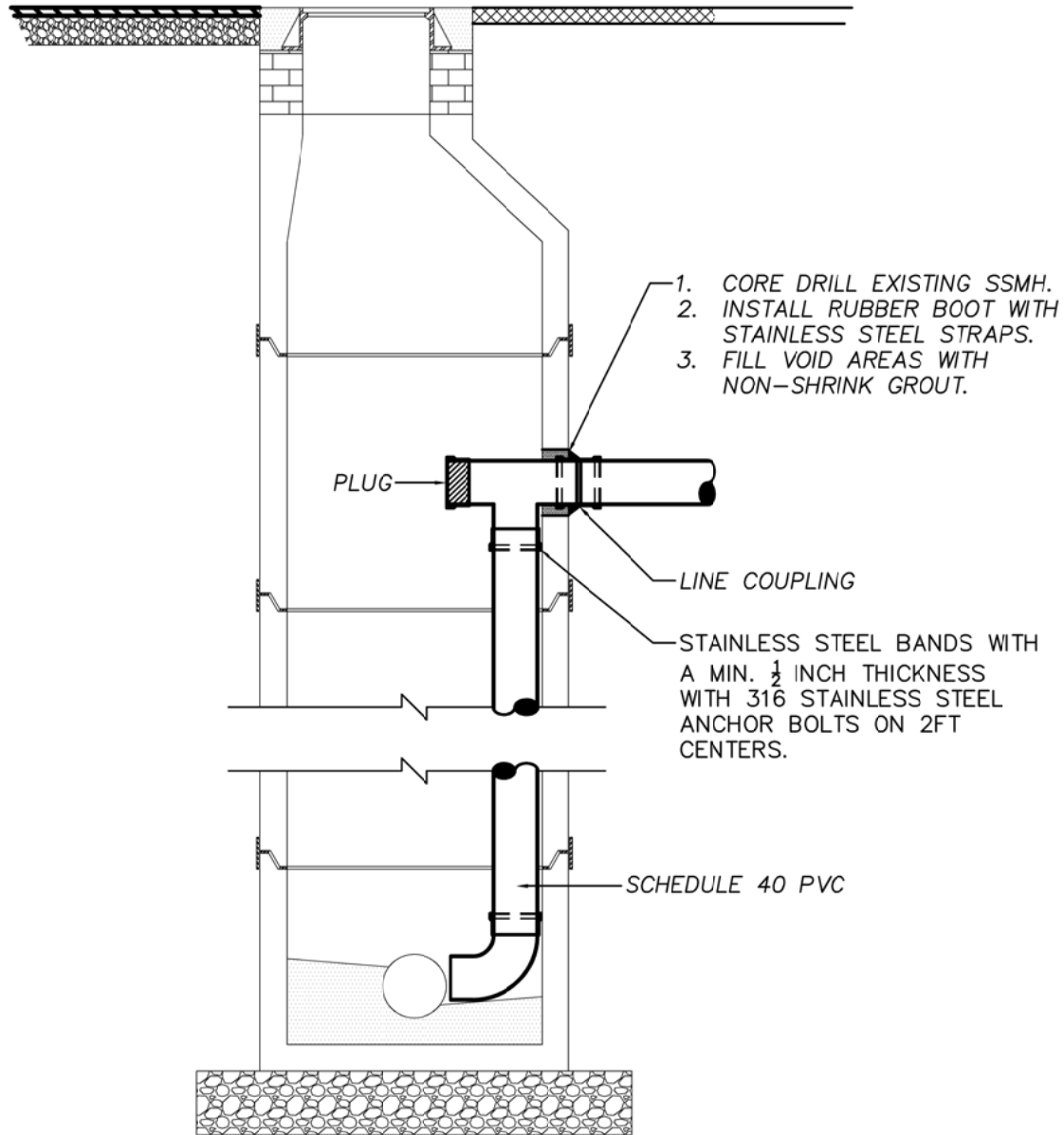
BRUNSWICK-GLYNN COUNTY
JOINT WATER & SEWER
COMMISSION

700 Gloucester Street, Suite 300 Phone: (912) 261-7110
Brunswick, Georgia 31520 Fax: (912) 261-7178
Website: www.bgjwsc.org

OUTSIDE DROP MANHOLE PLAN

JWSC STANDARD DETAIL 3-3B

Date: AUGUST 2011



NOT TO SCALE



**BRUNSWICK-GLYNN COUNTY
 JOINT WATER & SEWER
 COMMISSION**

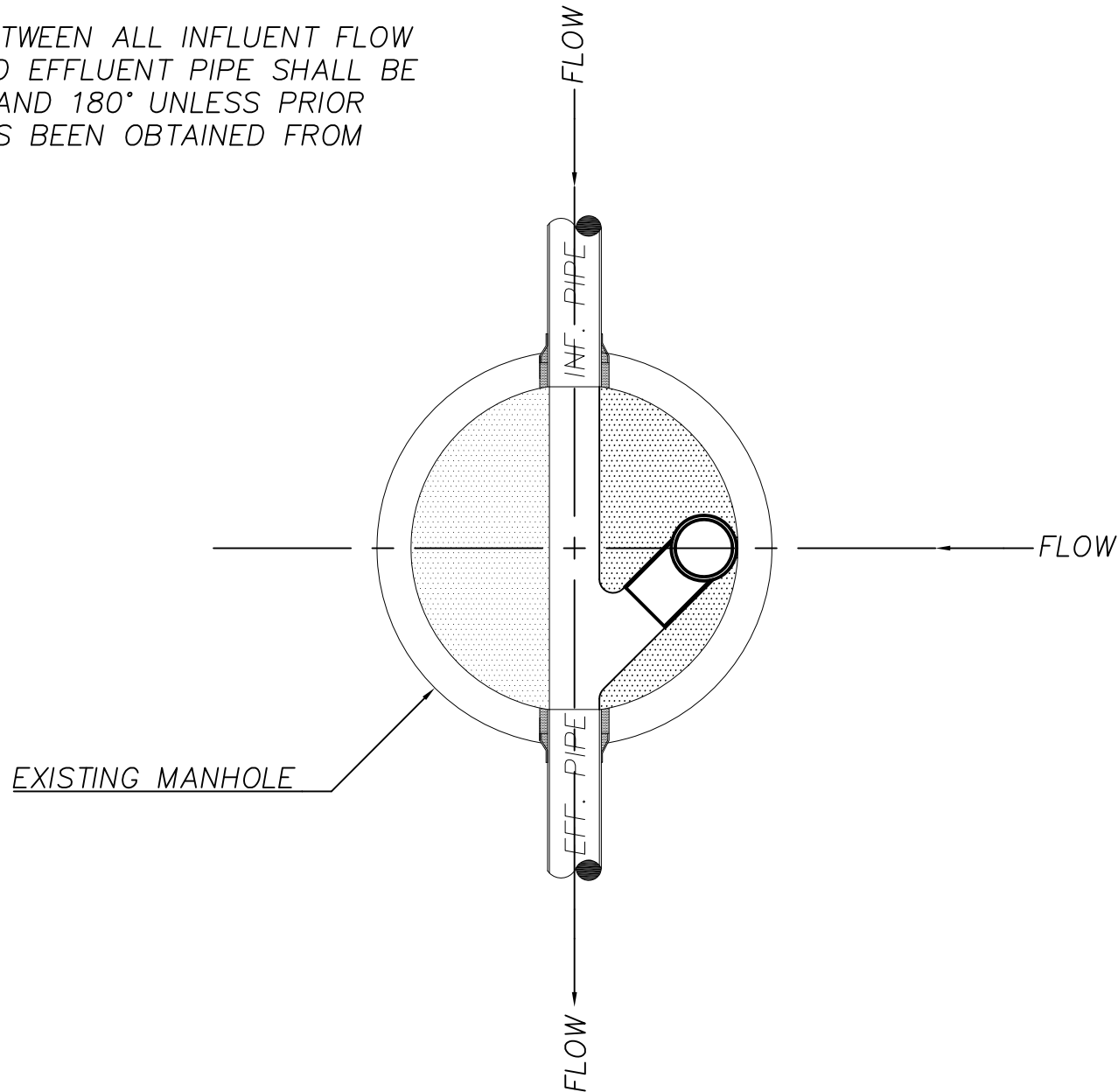
1703 Gloucester Street Phone: (912) 261-7110
 Brunswick, Georgia 31520 Fax: (912) 261-7178
 Website: www.bgjwsc.org

INSIDE DROP MANHOLE SECTION

JWSC STANDARD DETAIL 3-4A

Date: JUNE 2016

NOTE:
THE ANGLE BETWEEN ALL INFLUENT FLOW
CHANNELS AND EFFLUENT PIPE SHALL BE
BETWEEN 90° AND 180° UNLESS PRIOR
APPROVAL HAS BEEN OBTAINED FROM
THE JWSC



NOT TO SCALE



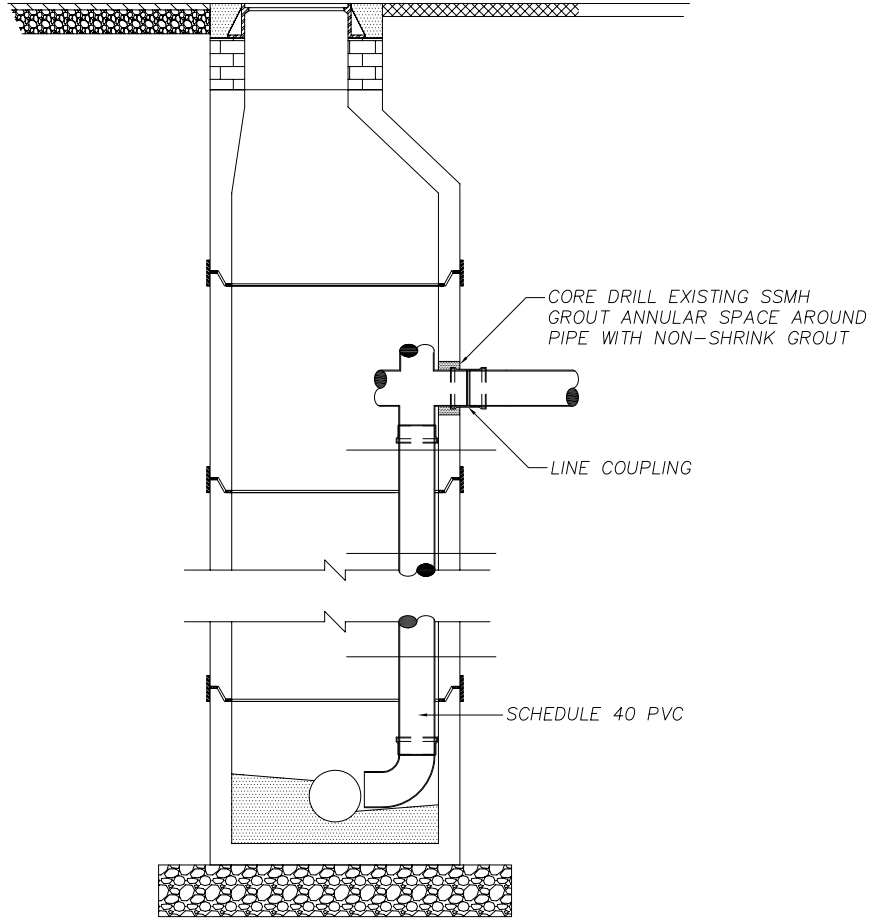
BRUNSWICK-GLYNN COUNTY
JOINT WATER & SEWER
COMMISSION

700 Gloucester Street, Suite 300 Phone: (912) 261-7110
Brunswick, Georgia 31520 Fax: (912) 261-7178
Website: www.bgjwsc.org

INSIDE DROP MANHOLE PLAN

JWSC STANDARD DETAIL 3-4B

Date: AUGUST 2011



INSIDE DROP MANHOLE SECTION

NOT TO SCALE



**BRUNSWICK-GLYNN COUNTY
JOINT WATER & SEWER
COMMISSION**

1703 Gloucester St. Phone: (912) 261-7110
Brunswick, Georgia 31520 Fax: (912) 261-7178
Website: www.bgjwsc.org

INSIDE DROP MANHOLE SECTION

JWSC STANDARD DETAIL 3-4C

Date: APRIL, 2017

GENERAL NOTES:

1. THE MINIMUM SIZE FOR HOUSE SERVICE LATERALS SHALL BE 4". WHERE DOUBLE SERVICES ARE INSTALLED, A 6" LATERAL SHALL BE USED FROM THE MAIN TO THE PROPERTY LINE.
2. THE MAXIMUM LENGTH OF A SERVICE LATERAL SHALL NOT EXCEED 60' AS MEASURED FROM THE SEWER MAIN (OR MANHOLE) TO THE PROPERTY LINE.
3. THE SEWER SERVICE LATERAL SHALL BE CONSTRUCTED AT A DEPTH TO ALLOW A GRAVITY CONNECTION BY THE CUSTOMER WHERE POSSIBLE. SEWER SERVICE DEPTHS GREATER THAN 60" REQUIRE APPROVAL OF THE JWSC PLANNING AND CONSTRUCTION DIVISION.
4. ALL SERVICES SHALL BE RUN PERPENDICULAR TO THE RIGHT OF WAY LINE.
5. SERVICE CONNECTIONS ARE NOT PERMITTED ON SEWER MAINS OR TRUNK LINES LARGER THAN 15-INCHES IN DIAMETER.
6. ALL GRAVITY MAINS AND SEWER SERVICE LATERALS (INCLUDING THE TEE-WYE FITTING) WITH A DEPTH OF CUT GREATER THAN 12 FEET SHALL BE PVC SDR-26.
7. CLEANOUT SHALL BE INSTALLED AT RIGHT OF WAY LINE UPON CONNECTION OF THE CUSTOMER TO PUBLIC SEWER. SEE CLEANOUT DETAIL FOR ADDITIONAL INFORMATION.

NOT TO SCALE



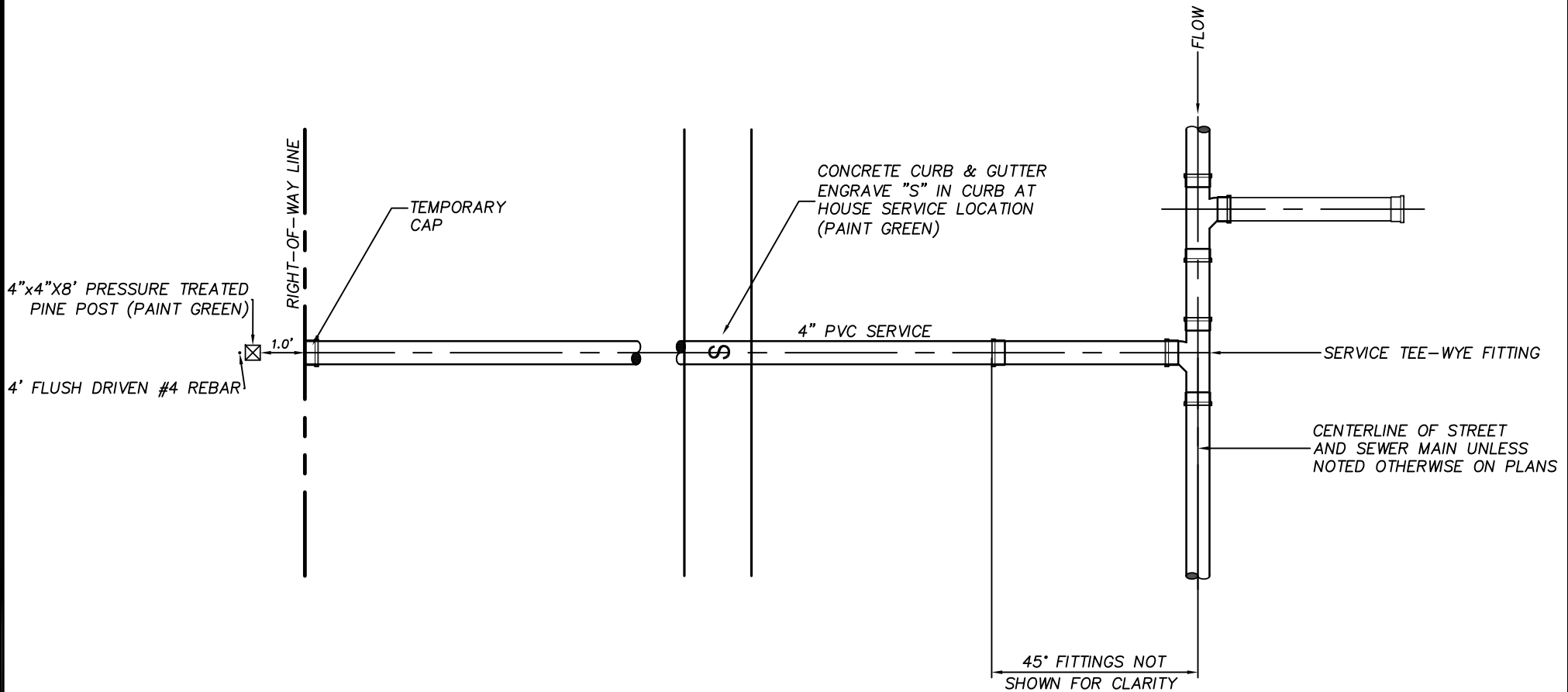
BRUNSWICK-GLYNN COUNTY
JOINT WATER & SEWER
COMMISSION

700 Gloucester Street, Suite 300 Phone: (912) 261-7110
Brunswick, Georgia 31520 Fax: (912) 261-7178
Website: www.bgjwsc.org

GENERAL NOTES - SEWER SERVICES

JWSC STANDARD DETAIL 3-5

Date: OCTOBER 2011



NOT TO SCALE



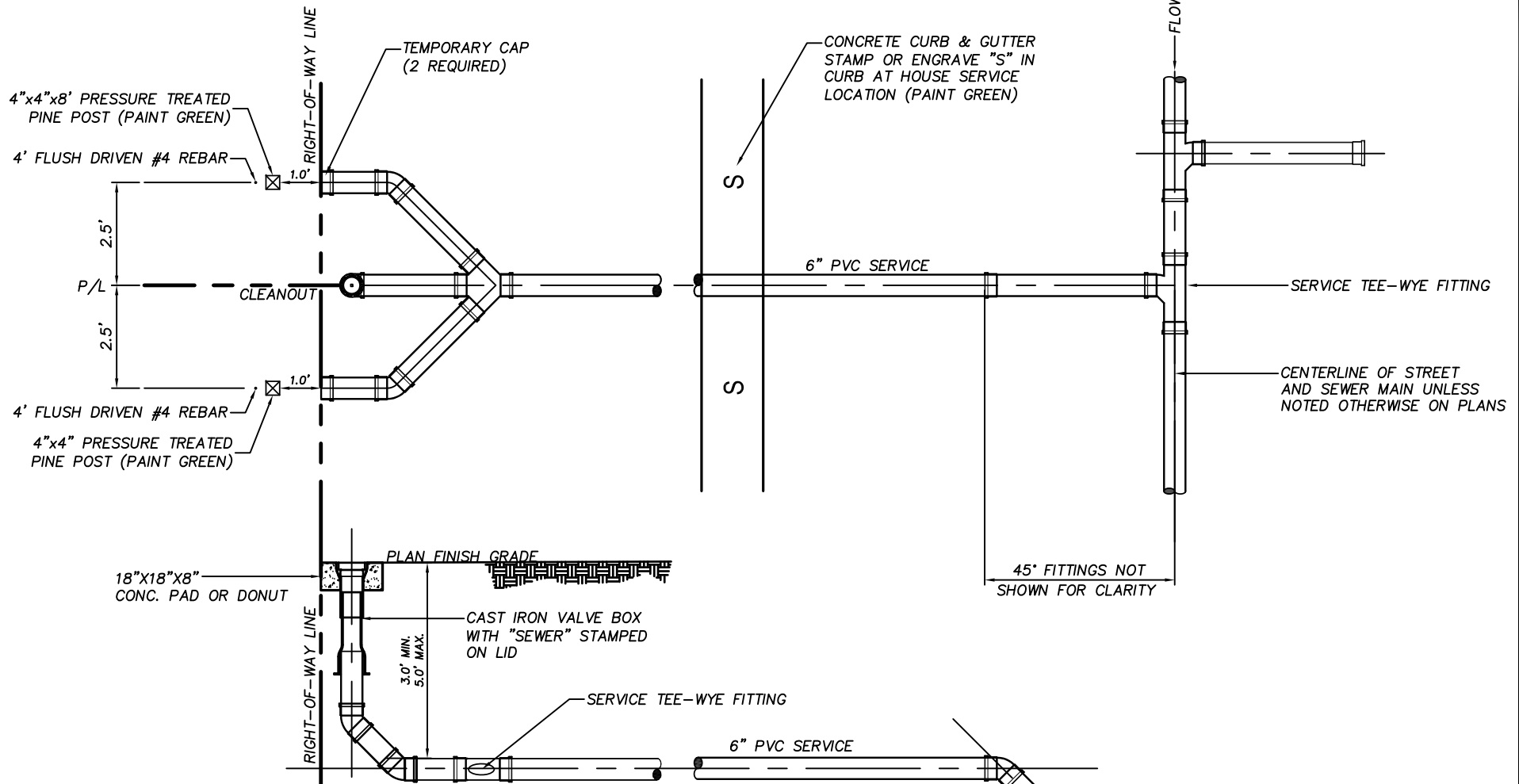
**BRUNSWICK-GLYNN COUNTY
JOINT WATER & SEWER
COMMISSION**

1703 Gloucester Street Phone: (912) 261-7110
 Brunswick, Georgia 31520 Fax: (912) 261-7178
 Website: www.bgjwsc.org

SINGLE SEWER SERVICE - PLAN VIEW

JWSC STANDARD DETAIL 3-6

Date: JANUARY 2019



GENERAL NOTES:

1. THE MINIMUM SIZE FOR HOUSE SERVICE LATERALS SHALL BE 4". WHERE DOUBLE SERVICES ARE INSTALLED, A 6" LATERAL SHALL BE USED FROM THE MAIN TO THE PROPERTY LINE.
2. THE MAXIMUM LENGTH OF A SERVICE LATERAL SHALL NOT EXCEED 60' AS MEASURED FROM THE SEWER MAIN (OR MANHOLE) TO THE PROPERTY LINE.
3. THE SEWER SERVICE LATERAL SHALL BE CONSTRUCTED AT A DEPTH TO ALLOW A GRAVITY CONNECTION BY THE CUSTOMER WHERE POSSIBLE. SEWER SERVICE DEPTHS GREATER THAN 60" REQUIRE APPROVAL OF THE JWSC PLANNING AND CONSTRUCTION DIVISION.
4. ALL SERVICES SHALL BE RUN PERPENDICULAR TO THE RIGHT OF WAY LINE.
5. SERVICE CONNECTIONS ARE NOT PERMITTED ON SEWER MAINS OR TRUNK LINES LARGER THAN 15-INCHES IN DIAMETER.
6. ALL GRAVITY MAINS AND SEWER SERVICE LATERALS (INCLUDING THE TEE-WYE FITTING) WITH A DEPTH OF CUT GREATER THAN 12 FEET SHALL BE PVC SDR-26.
7. 6" CLEANOUT TO BE INSTALLED BY THE UTILITY CONTRACTOR OR APPROVED AS PART OF THE SITE WORK.
8. CLEANOUT SHALL BE INSTALLED AT RIGHT OF WAY LINE UPON CONNECTION OF THE CUSTOMER TO PUBLIC SEWER. SEE CLEANOUT DETAIL FOR ADDITIONAL INFORMATION.

STANDARD TEE-WYE FITTING
SEWER MAIN

NOT TO SCALE



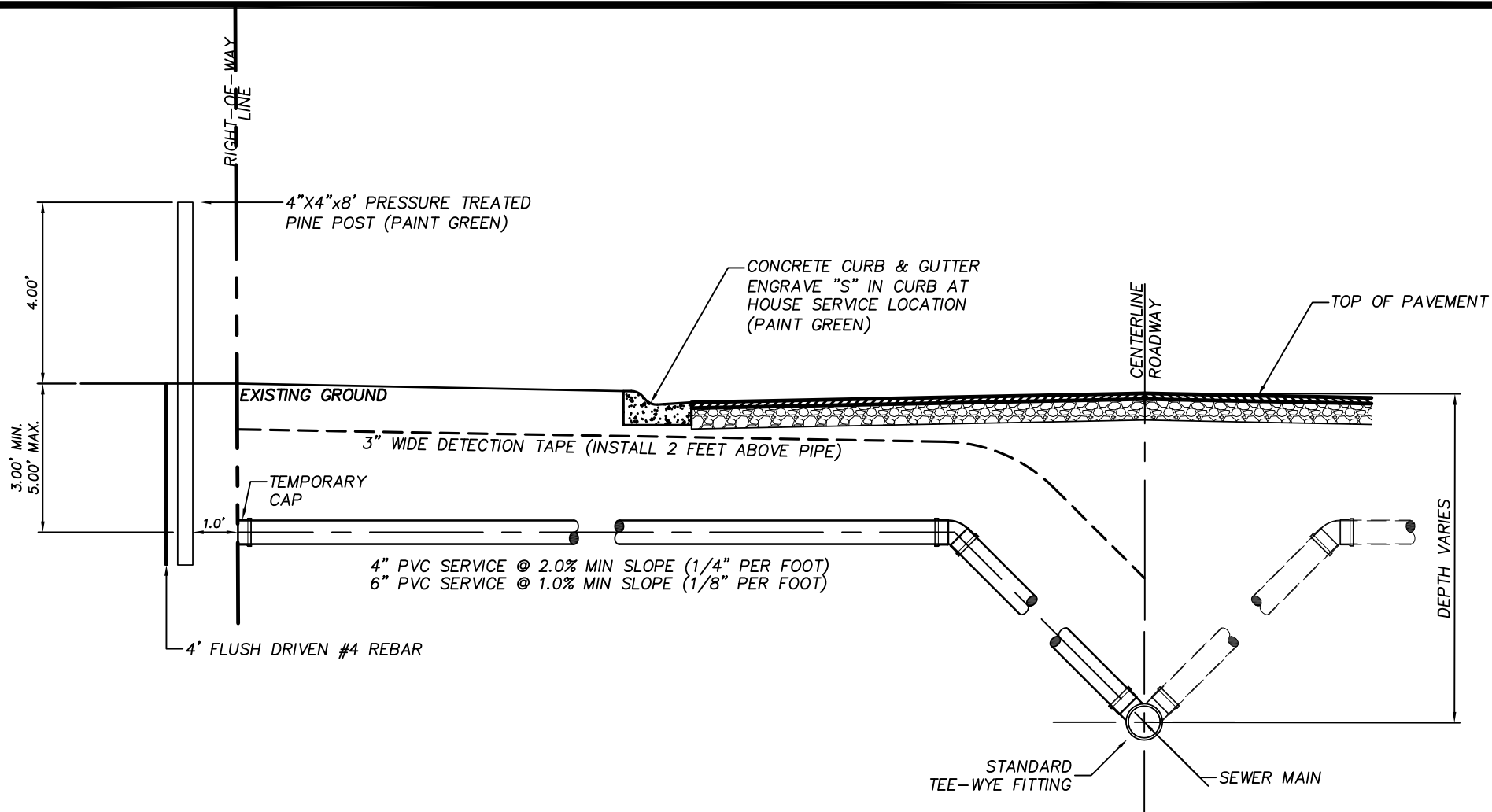
**BRUNSWICK-GLYNN COUNTY
JOINT WATER & SEWER
COMMISSION**

1703 Gloucester Street Phone: (912) 261-7110
Brunswick, Georgia 31520 Fax: (912) 261-7178
Website: www.bgjwsc.org

DOUBLE SEWER SERVICE

JWSC STANDARD DETAIL 3-7

Date: JANUARY 2019



GENERAL NOTES:

1. MINIMUM BURY AT THE R/W IS 3' 0". INSTALL DR18 C900 WHERE MINIMUM BURY DEPTH IS NOT ACHIEVABLE DIRECTED BY THE JWSC. PIPE TO BE GREEN IN COLOR.
2. MINIMUM SERVICE FOR COMMERCIAL SITES IS 6" OR AS DIRECTED BY THE JWSC.
3. WHERE C900 IS REQUIRED, ALL FITTINGS SHALL BE C907 DR18 FITTINGS.
4. THE SEWER SERVICE LATERAL SHALL BE CONSTRUCTED AT A DEPTH TO ALLOW A GRAVITY CONNECTION BY THE CUSTOMER WHERE POSSIBLE. SEWER SERVICE DEPTHS GREATER THAN 60" REQUIRE APPROVAL OF THE JWSC PLANNING AND CONSTRUCTION DIVISION.

NOT TO SCALE



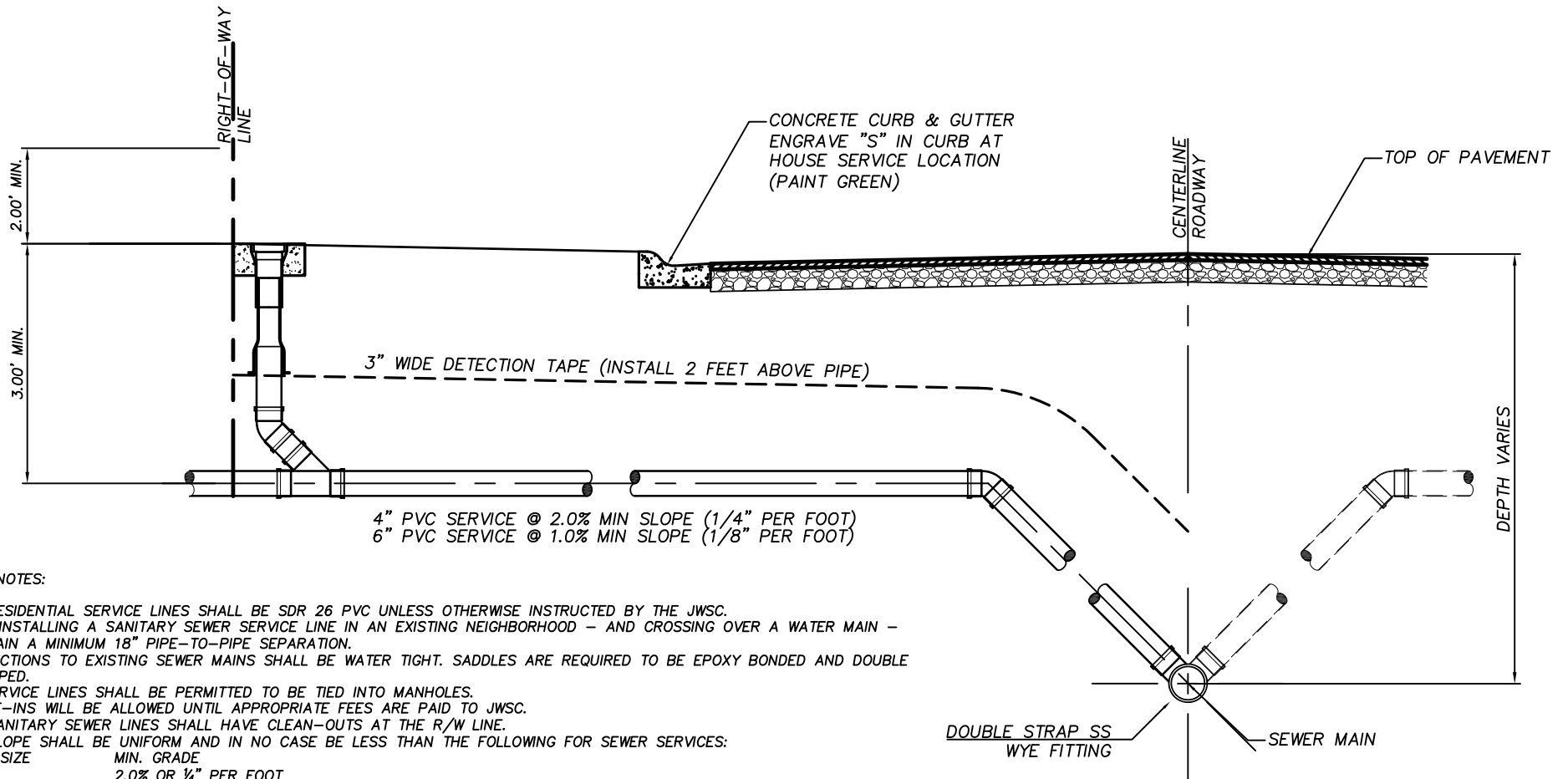
**BRUNSWICK-GLYNN COUNTY
JOINT WATER & SEWER
COMMISSION**

1703 Gloucester Street Phone: (912) 261-7110
 Brunswick, Georgia 31520 Fax: (912) 261-7178
 Website: www.bgjwsc.org

SEWER SERVICE - SECTIONAL VIEW

JWSC STANDARD DETAIL 3-8

Date: JANUARY 2019



GENERAL NOTES:

1. ALL RESIDENTIAL SERVICE LINES SHALL BE SDR 26 PVC UNLESS OTHERWISE INSTRUCTED BY THE JWSC.
2. WHEN INSTALLING A SANITARY SEWER SERVICE LINE IN AN EXISTING NEIGHBORHOOD - AND CROSSING OVER A WATER MAIN - MAINTAIN A MINIMUM 18" PIPE-TO-PIPE SEPARATION.
3. CONNECTIONS TO EXISTING SEWER MAINS SHALL BE WATER TIGHT. SADDLES ARE REQUIRED TO BE EPOXY BONDED AND DOUBLE STRAPPED.
4. NO SERVICE LINES SHALL BE PERMITTED TO BE TIED INTO MANHOLES.
5. NO TIE-INS WILL BE ALLOWED UNTIL APPROPRIATE FEES ARE PAID TO JWSC.
6. ALL SANITARY SEWER LINES SHALL HAVE CLEAN-OUTS AT THE R/W LINE.
7. THE SLOPE SHALL BE UNIFORM AND IN NO CASE BE LESS THAN THE FOLLOWING FOR SEWER SERVICES:

LINE SIZE	MIN. GRADE
4"	2.0% OR 1/4" PER FOOT
6"	1.0% OR 1/8" PER FOOT
8. DESIGN OF DEEP SEWER (>9FT) CONNECTIONS SHALL BE APPROVED BY THE JWSC.
9. SADDLE MUST BE P.V.C. O.D. SPECIFIC AND HAVE EPOXY SEAL AROUND TAP. WYE FITTING SHALL HAVE POLLY TAPE AROUND STAINLESS STEEL STRAPS.
10. A HOLE SAW SHALL BE USED TO MAKE TAPS ON EXISTING SEWER MAINS; THE COUPON FROM THE TAP MUST BE AVAILABLE TO THE JWSC INSPECTOR.
11. NEW TAPS ON LINED SEWER MAINS - THE OUTER MATERIAL MUST BE COMPLETELY REMOVED AND SADDLE SHALL BE APPLIED DIRECTLY TO THE SEWER LINING.
12. 90° FITTINGS ARE PROHIBITED.
13. SERVICE LINE TAPS INTO HIGH FLOW TRANSMISSION MAINS SHALL BE MADE VERTICALLY. DETERMINATION TO BE MADE BY THE JWSC.
14. BEDDING FOR SANITARY SEWER SERVICE LINES SHALL BE NO. 57 STONE AND SHALL BE INSTALLED, IN ALL CASES, FROM SIX (6) INCHES BELOW THE SUB-GRADE OF THE PIPE TO THE TOP OF THE PIPE IN THE AREA WHERE THE PIPE IS DISTURBED, SEE JWSC TYPICAL DETAILS 3-10A AND 3-11A.
15. WHERE C900 IS REQUIRED, ALL FITTINGS SHALL BE C907 DR18 FITTINGS.

NOT TO SCALE



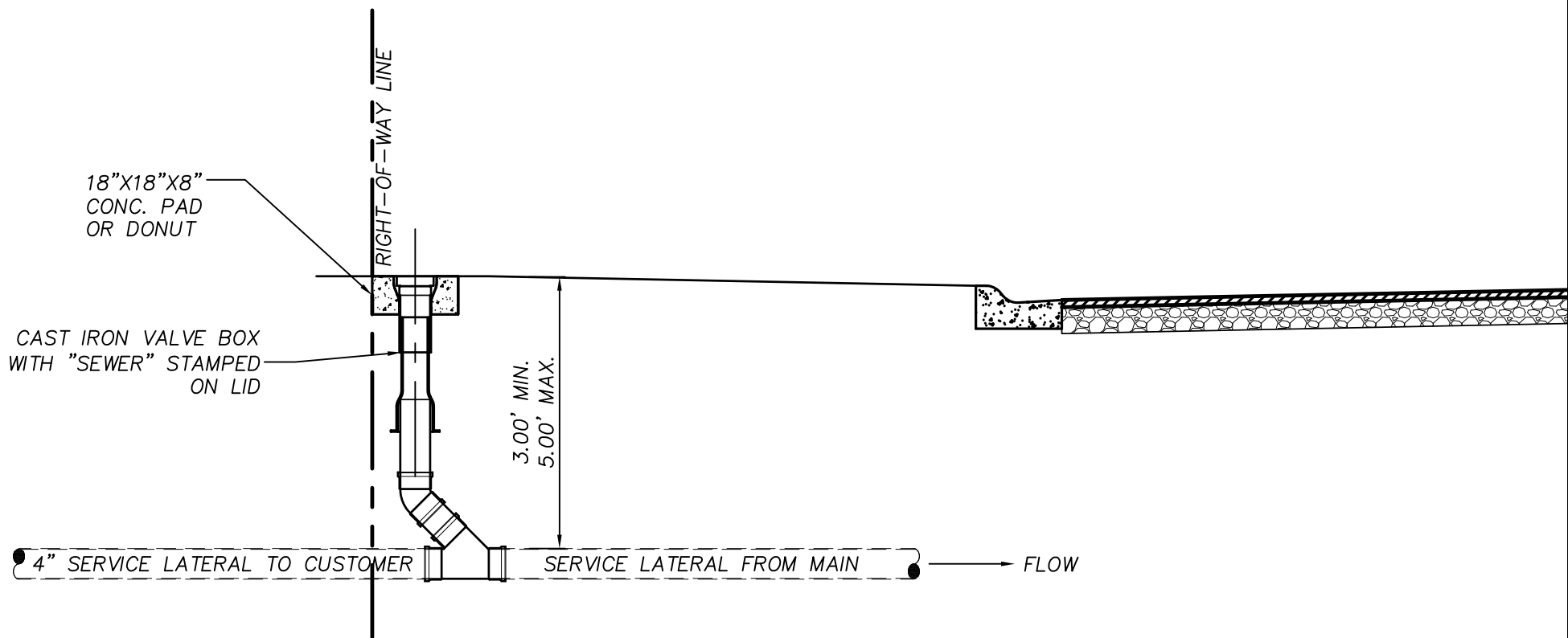
**BRUNSWICK-GLYNN COUNTY
JOINT WATER & SEWER
COMMISSION**

1703 Gloucester Street Phone: (912) 261-7110
 Brunswick, Georgia 31520 Fax: (912) 261-7178
 Website: www.bgjwsc.org

SERVICE TAP CONNECTION

JWSC STANDARD DETAIL 3-8A

Date: JULY 2018



GENERAL NOTES:

1. BOX SHALL BE STAR PIPE PRODUCTS VB562S OR APPROVED EQUAL.
2. THE SEWER SERVICE LATERAL SHALL BE CONSTRUCTED AT A DEPTH TO ALLOW A GRAVITY CONNECTION BY THE CUSTOMER WHERE POSSIBLE. SEWER SERVICE DEPTHS GREATER THAN 60" REQUIRE APPROVAL OF THE JWSC PLANNING AND CONSTRUCTION DIVISION.

NOT TO SCALE



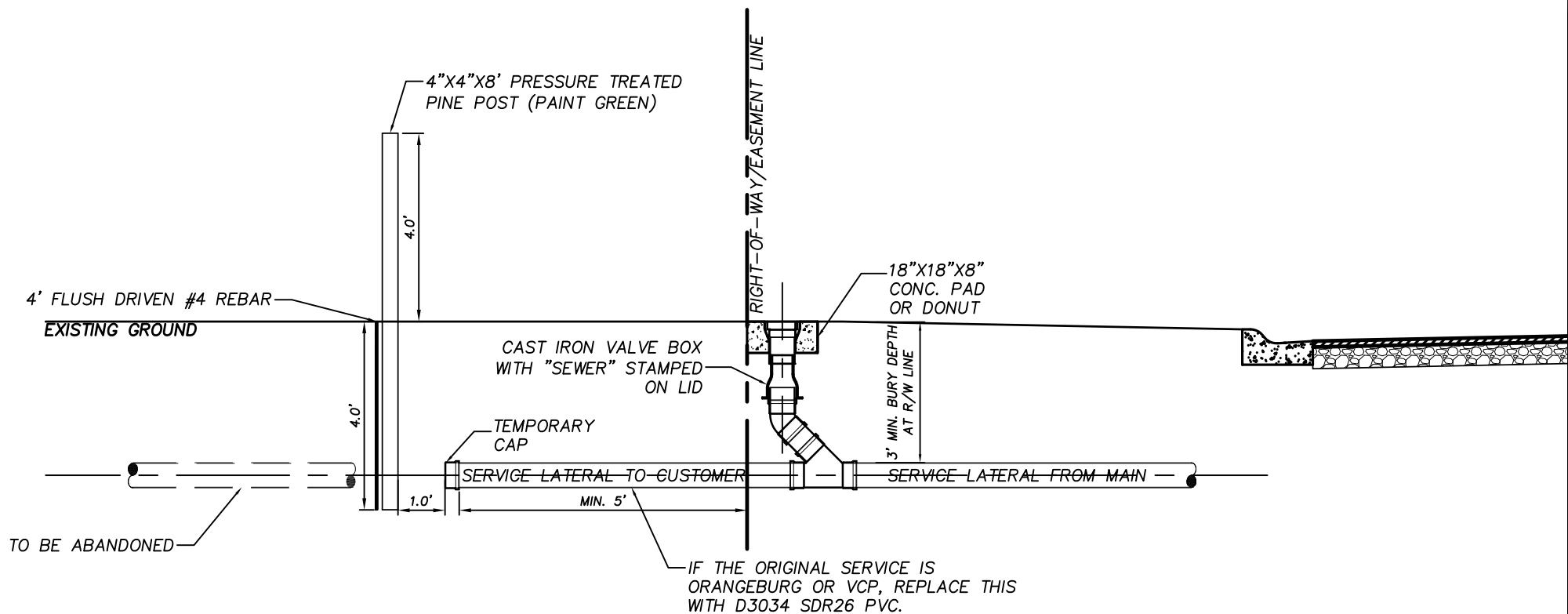
**BRUNSWICK-GLYNN COUNTY
JOINT WATER & SEWER
COMMISSION**

1703 Gloucester Street Phone: (912) 261-7110
 Brunswick, Georgia 31520 Fax: (912) 261-7178
 Website: www.bgjwsc.org

SEWER SERVICE - CLEANOUT

JWSC STANDARD DETAIL 3-9

Date: JANUARY 2019



GENERAL NOTES:

1. BOX SHALL BE STAR PIPE PRODUCTS VB562S OR APPROVED EQUAL.
2. IN LIEU OF A POURED IN PLACE CONCRETE PAD, A PRECAST CONCRETE COLLAR MAY BE INSTALLED.
3. THE OWNER/DEVELOPER IS RESPONSIBLE FOR THE INSTALLATION OF A LOWER CLEANOUT AT THE R/W IF NOT ALREADY EXISTING.

NOT TO SCALE



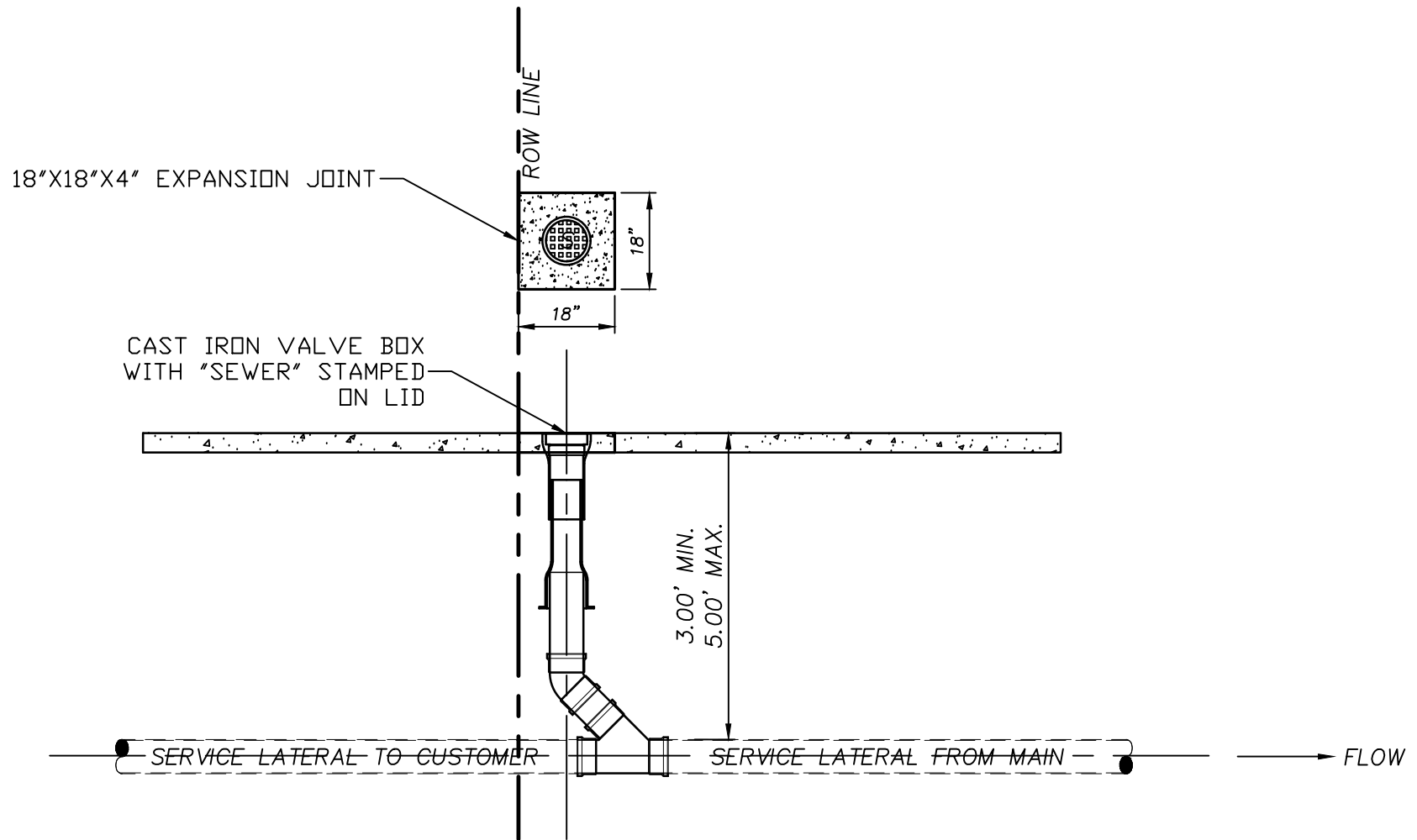
**BRUNSWICK-GLYNN COUNTY
JOINT WATER & SEWER
COMMISSION**

1703 Gloucester Street Phone: (912) 261-7110
 Brunswick, Georgia 31520 Fax: (912) 261-7178
 Website: www.bgjwsc.org

SEWER SERVICE - ABANDONMENT

JWSC STANDARD DETAIL 3-9A

Date: DECEMBER 2018



GENERAL NOTES:

1. BOX SHALL BE STAR PIPE PRODUCTS VB562S OR APPROVED EQUAL.
2. THE SEWER SERVICE LATERAL SHALL BE CONSTRUCTED AT A DEPTH TO ALLOW A GRAVITY CONNECTION BY THE CUSTOMER WHERE POSSIBLE. SEWER SERVICE DEPTHS GREATER THAN 60" REQUIRE APPROVAL OF THE JWSC PLANNING AND CONSTRUCTION DIVISION.

NOT TO SCALE



BRUNSWICK-GLYNN COUNTY
JOINT WATER & SEWER
COMMISSION

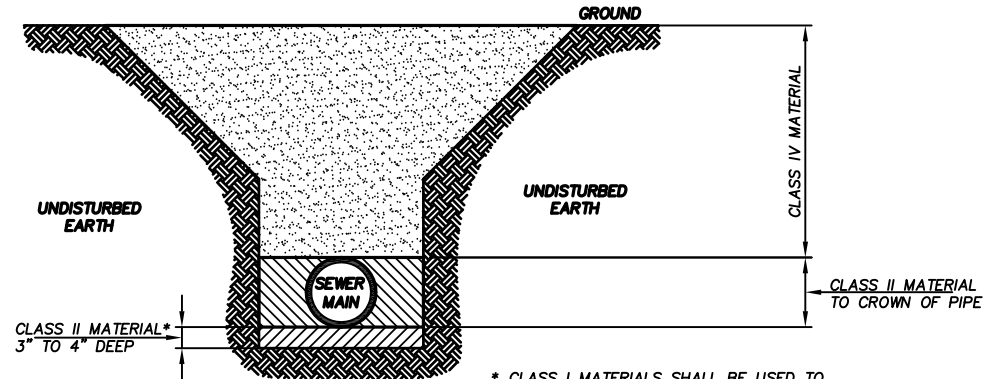
1703 Gloucester Street Phone: (912) 261-7110
Brunswick, Georgia 31520 Fax: (912) 261-7178
Website: www.bgjwsc.org

SEWER SERVICE - CLEANOUT IN
DRIVEWAYS

JWSC STANDARD DETAIL 3-9B

Date: JULY 2021

PIPE BEDDING MATERIALS		
CLASS	TYPE	DESCRIPTION
I		MANUFACTURED ANGULAR, GRANULAR MATERIAL, 1/4" TO 1 1/2" SIZE, INCLUDING MATERIALS HAVING REGIONAL SIGNIFICANCE SUCH AS CRUSHED STONE OR ROCK.
II	GW	WELL-GRADED GRAVELS AND GRAVEL-SAND MIXTURES, LITTLE OR NO FINES, 50% OR MORE OF COARSE FRACTION RETAINED ON NO. 4 SIEVE. MORE THAN 95% RETAINED ON NO. 200 SIEVE. CLEAN.
	GP	POORLY GRADED GRAVELS AND GRAVEL-SAND MIXTURES, LITTLE OR NO FINES, 50% OR MORE OF COARSE FRACTION RETAINED ON NO. 4 SIEVE. MORE THAN 95% RETAINED ON NO. 200 SIEVE. CLEAN.
	SW	WELL-GRADED SANDS AND GRAVELLY SANDS, LITTLE OR NO FINES. MORE THAN 50% OF COARSE FRACTION PASSES NO. 4 SIEVE. MORE THAN 95% RETAINED ON NO. 200 SIEVE. CLEAN.
	SP	POORLY GRADED SANDS AND GRAVELLY SANDS, LITTLE OR NO FINES. MORE THAN 50% OF COARSE FRACTION PASSES NO. 4 SIEVE. MORE THAN 95% RETAINED ON NO. 200 SIEVE. CLEAN.
	III	GM
GC		CLAYEY GRAVELS, GRAVEL-SAND-CLAY MIXTURES, 50% OR MORE OF COARSE FRACTION RETAINED ON NO. 4 SIEVE. MORE THAN 50% RETAINED ON NO. 200 SIEVE.
SM		SILTY SANDS, SAND-SILT MIXTURES, MORE THAN 50% OF COARSE FRACTION PASSES ON NO. 4 SIEVE. MORE THAN 50% RETAINED ON NO. 200 SIEVE.
SC		CLAYEY SANDS, SAND-CLAY MIXTURES, MORE THAN 50% OF COARSE FRACTION PASSES NO. 4 SIEVE. MORE THAN 50% RETAINED ON NO. 200 SIEVE.
IV		ML
	CL	INORGANIC CLAYS OF LOW TO MEDIUM PLASTICITY, GRAVELLY CLAYS, SANDY CLAYS, SILTY CLAYS, LEAN CLAYS. LIQUID LIMIT 50% OR LESS, 50% OR MORE PASSES NO. 200 SIEVE.
	MH	INORGANIC SILTS, MICACEOUS OR DIATOMACEOUS FINE SANDS OR SILTS, ELASTIC SILTS. LIQUID LIMIT GREATER THAN 50%, 50% OR MORE PASSES NO. 200 SIEVE.
	CH	INORGANIC CLAYS OF HIGH PLASTICITY, FAT CLAYS. LIQUID LIMIT GREATER THAN 50%, 50% OR MORE PASSES NO. 200 SIEVE.



RIGID PIPE IN NON-TRAFFIC AREAS

* CLASS I MATERIALS SHALL BE USED TO PROVIDE AN UNYIELDING FOUNDATION WHERE THE NATURAL TRENCH FOUNDATION IS WEAK.

NOT TO SCALE



**BRUNSWICK-GLYNN COUNTY
JOINT WATER & SEWER
COMMISSION**

700 Gloucester Street, Suite 300 Phone: (912) 261-7110
Brunswick, Georgia 31520 Fax: (912) 261-7178
Website: www.bgjwsc.org

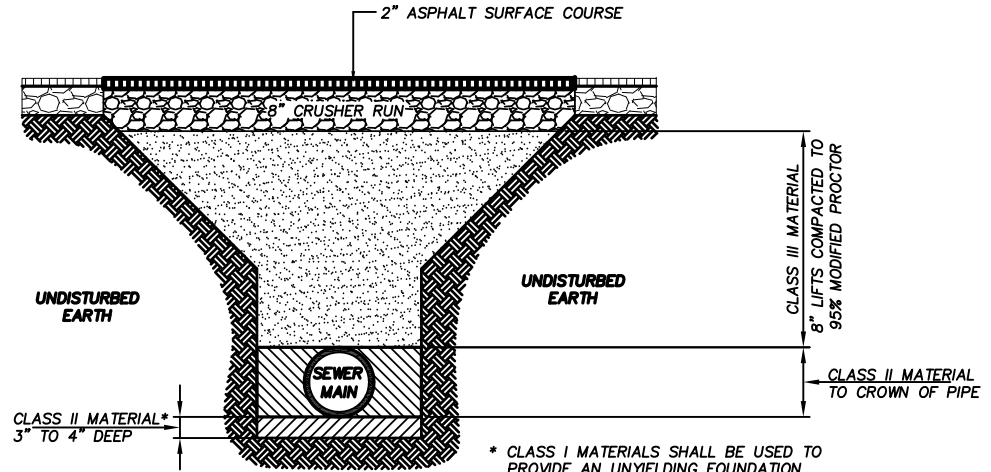
TRENCH DETAIL - RIGID PIPE

JWSC STANDARD DETAIL 3-10A

Date: OCTOBER 2011

PIPE BEDDING MATERIALS

CLASS	TYPE	DESCRIPTION
I		MANUFACTURED ANGULAR, GRANULAR MATERIAL, 1/4" TO 1 1/2" SIZE, INCLUDING MATERIALS HAVING REGIONAL SIGNIFICANCE SUCH AS CRUSHED STONE OR ROCK
II	GW	WELL-GRADED GRAVELS AND GRAVEL-SAND MIXTURES, LITTLE OR NO FINES, 50% OR MORE OF COARSE FRACTION RETAINED ON NO. 4 SIEVE. MORE THAN 95% RETAINED ON NO. 200 SIEVE. CLEAN.
	GP	POORLY GRADED GRAVELS AND GRAVEL-SAND MIXTURES, LITTLE OR NO FINES, 50% OR MORE OF COARSE FRACTION RETAINED ON NO. 4 SIEVE. MORE THAN 95% RETAINED ON NO. 200 SIEVE. CLEAN.
	SW	WELL-GRADED SANDS AND GRAVELLY SANDS, LITTLE OR NO FINES. MORE THAN 50% OF COARSE FRACTION PASSES NO. 4 SIEVE. MORE THAN 95% RETAINED ON NO. 200 SIEVE. CLEAN.
	SP	POORLY GRADED SANDS AND GRAVELLY SANDS, LITTLE OR NO FINES. MORE THAN 50% OF COARSE FRACTION PASSES NO. 4 SIEVE. MORE THAN 95% RETAINED ON NO. 200 SIEVE. CLEAN.
III	GM	SILTY GRAVELS, GRAVEL-SAND-SILT MIXTURES, 50% OR MORE OF COARSE FRACTION RETAINED ON NO. 4 SIEVE. MORE THAN 50% RETAINED ON NO. 200 SIEVE.
	GC	CLAYEY GRAVELS, GRAVEL-SAND-CLAY MIXTURES, 50% OR MORE OF COARSE FRACTION RETAINED ON NO. 4 SIEVE. MORE THAN 50% RETAINED ON NO. 200 SIEVE.
	SM	SILTY SANDS, SAND-SILT MIXTURES, MORE THAN 50% OF COARSE FRACTION PASSES ON NO. 4 SIEVE. MORE THAN 50% RETAINED ON NO. 200 SIEVE.
	SC	CLAYEY SANDS, SAND-CLAY MIXTURES, MORE THAN 50% OF COARSE FRACTION PASSES NO. 4 SIEVE. MORE THAN 50% RETAINED ON NO. 200 SIEVE.
IV	ML	INORGANIC SILTS, VERY FINE SANDS, ROCK FLOUR, SILTY OR CLAYEY FINE SANDS. LIQUID LIMIT 50% OR LESS, 50% OR MORE PASSES NO. 200 SIEVE
	CL	INORGANIC CLAYS OF LOW TO MEDIUM PLASTICITY, GRAVELLY CLAYS, SANDY CLAYS, SILTY CLAYS, LEAN CLAYS. LIQUID LIMIT 50% OR LESS, 50% OR MORE PASSES NO. 200 SIEVE
	MH	INORGANIC SILTS, MICACEOUS OR DIATOMACEOUS FINE SANDS OR SILTS, ELASTIC SILTS. LIQUID LIMIT GREATER THAN 50%, 50% OR MORE PASSES NO. 200 SIEVE.
	CH	INORGANIC CLAYS OF HIGH PLASTICITY, FAT CLAYS. LIQUID LIMIT GREATER THAN 50%, 50% OR MORE PASSES NO. 200 SIEVE.



RIGID PIPE IN TRAFFIC AREAS

* CLASS I MATERIALS SHALL BE USED TO PROVIDE AN UNYIELDING FOUNDATION WHERE THE NATURAL TRENCH FOUNDATION IS WEAK.

NOT TO SCALE



BRUNSWICK-GLYNN COUNTY
JOINT WATER & SEWER
COMMISSION

700 Gloucester Street, Suite 300 Phone: (912) 261-7110
Brunswick, Georgia 31520 Fax: (912) 261-7178
Website: www.bgjwsc.org

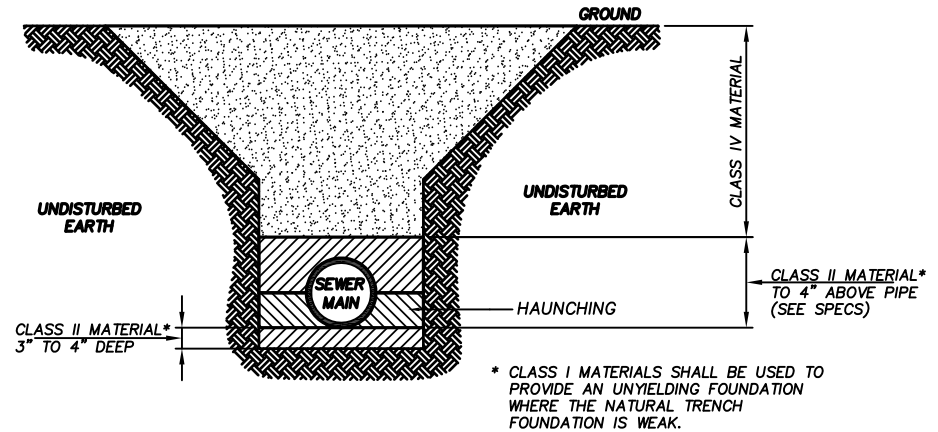
TRENCH DETAIL - RIGID PIPE

JWSC STANDARD DETAIL 3-10B

Date: OCTOBER 2011

PIPE BEDDING MATERIALS

CLASS	TYPE	DESCRIPTION
I		MANUFACTURED ANGULAR, GRANULAR MATERIAL, ¼" TO 1 ½" SIZE, INCLUDING MATERIALS HAVING REGIONAL SIGNIFICANCE SUCH AS CRUSHED STONE OR ROCK
II	GW	WELL-GRADED GRAVELS AND GRAVEL-SAND MIXTURES, LITTLE OR NO FINES, 50% OR MORE OF COARSE FRACTION RETAINED ON NO. 4 SIEVE. MORE THAN 95% RETAINED ON NO. 200 SIEVE. CLEAN.
	GP	POORLY GRADED GRAVELS AND GRAVEL-SAND MIXTURES, LITTLE OR NO FINES, 50% OR MORE OF COARSE FRACTION RETAINED ON NO. 4 SIEVE. MORE THAN 95% RETAINED ON NO. 200 SIEVE. CLEAN.
	SW	WELL-GRADED SANDS AND GRAVELLY SANDS, LITTLE OR NO FINES. MORE THAN 50% OF COARSE FRACTION PASSES NO. 4 SIEVE. MORE THAN 95% RETAINED ON NO. 200 SIEVE. CLEAN.
	SP	POORLY GRADED SANDS AND GRAVELLY SANDS, LITTLE OR NO FINES. MORE THAN 50% OF COARSE FRACTION PASSES NO. 4 SIEVE. MORE THAN 95% RETAINED ON NO. 200 SIEVE. CLEAN.
III	GM	SILTY GRAVELS, GRAVEL-SAND-SILT MIXTURES, 50% OR MORE OF COARSE FRACTION RETAINED ON NO. 4 SIEVE. MORE THAN 50% RETAINED ON NO. 200 SIEVE.
	GC	CLAYEY GRAVELS, GRAVEL-SAND-CLAY MIXTURES, 50% OR MORE OF COARSE FRACTION RETAINED ON NO. 4 SIEVE. MORE THAN 50% RETAINED ON NO. 200 SIEVE.
	SM	SILTY SANDS, SAND-SILT MIXTURES, MORE THAN 50% OF COARSE FRACTION PASSES ON NO. 4 SIEVE. MORE THAN 50% RETAINED ON NO. 200 SIEVE.
	SC	CLAYEY SANDS, SAND-CLAY MIXTURES, MORE THAN 50% OF COARSE FRACTION PASSES NO. 4 SIEVE. MORE THAN 50% RETAINED ON NO. 200 SIEVE.
	IV	ML
	CL	INORGANIC CLAYS OF LOW TO MEDIUM PLASTICITY, GRAVELLY CLAYS, SANDY CLAYS, SILTY CLAYS, LEAN CLAYS. LIQUID LIMIT 50% OR LESS, 50% OR MORE PASSES NO. 200 SIEVE
	MH	INORGANIC SILTS, MICACEOUS OR DIATOMACEOUS FINE SANDS OR SILTS, ELASTIC SILTS. LIQUID LIMIT GREATER THAN 50%, 50% OR MORE PASSES NO. 200 SIEVE.
	CH	INORGANIC CLAYS OF HIGH PLASTICITY, FAT CLAYS. LIQUID LIMIT GREATER THAN 50%, 50% OR MORE PASSES NO. 200 SIEVE.



FLEXIBLE PIPE IN NON-TRAFFIC AREAS

NOT TO SCALE



BRUNSWICK-GLYNN COUNTY
JOINT WATER & SEWER
COMMISSION

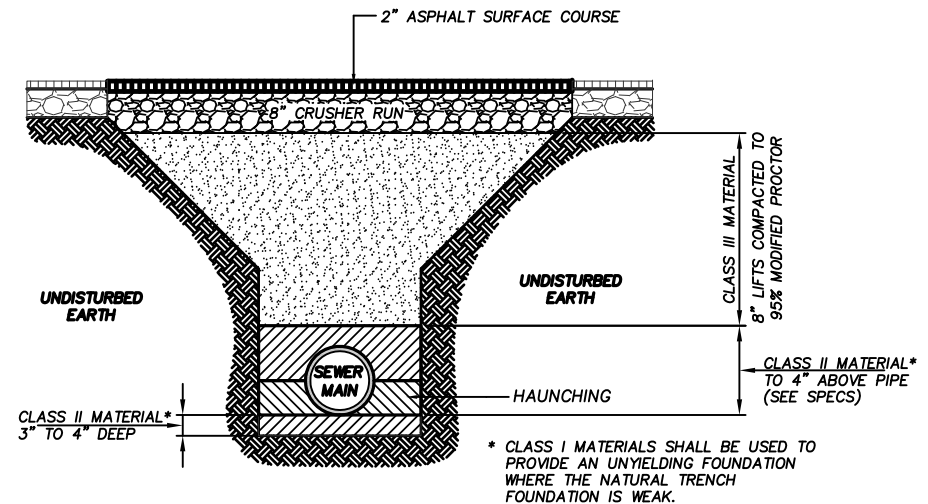
700 Gloucester Street, Suite 300 Phone: (912) 261-7110
Brunswick, Georgia 31520 Fax: (912) 261-7178
Website: www.bgjwsc.org

TRENCH DETAIL - FLEXIBLE PIPE

JWSC STANDARD DETAIL 3-11A

Date: OCTOBER 2011

PIPE BEDDING MATERIALS		
CLASS	TYPE	DESCRIPTION
I		MANUFACTURED ANGULAR, GRANULAR MATERIAL, ¼" TO 1 ½" SIZE, INCLUDING MATERIALS HAVING REGIONAL SIGNIFICANCE SUCH AS CRUSHED STONE OR ROCK
II	GW	WELL-GRADED GRAVELS AND GRAVEL-SAND MIXTURES, LITTLE OR NO FINES, 50% OR MORE OF COARSE FRACTION RETAINED ON NO. 4 SIEVE. MORE THAN 95% RETAINED ON NO. 200 SIEVE. CLEAN.
	GP	POORLY GRADED GRAVELS AND GRAVEL-SAND MIXTURES, LITTLE OR NO FINES, 50% OR MORE OF COARSE FRACTION RETAINED ON NO. 4 SIEVE. MORE THAN 95% RETAINED ON NO. 200 SIEVE. CLEAN.
	SW	WELL-GRADED SANDS AND GRAVELLY SANDS, LITTLE OR NO FINES. MORE THAN 50% OF COARSE FRACTION PASSES NO. 4 SIEVE. MORE THAN 95% RETAINED ON NO. 200 SIEVE. CLEAN.
	SP	POORLY GRADED SANDS AND GRAVELLY SANDS, LITTLE OR NO FINES. MORE THAN 50% OF COARSE FRACTION PASSES NO. 4 SIEVE. MORE THAN 95% RETAINED ON NO. 200 SIEVE. CLEAN.
III	GM	SILTY GRAVELS, GRAVEL-SAND-SILT MIXTURES, 50% OR MORE OF COARSE FRACTION RETAINED ON NO. 4 SIEVE. MORE THAN 50% RETAINED ON NO. 200 SIEVE.
	GC	CLAYEY GRAVELS, GRAVEL-SAND-CLAY MIXTURES, 50% OR MORE OF COARSE FRACTION RETAINED ON NO. 4 SIEVE. MORE THAN 50% RETAINED ON NO. 200 SIEVE.
	SM	SILTY SANDS, SAND-SILT MIXTURES, MORE THAN 50% OF COARSE FRACTION PASSES ON NO. 4 SIEVE. MORE THAN 50% RETAINED ON NO. 200 SIEVE.
	SC	CLAYEY SANDS, SAND-CLAY MIXTURES, MORE THAN 50% OF COARSE FRACTION PASSES NO. 4 SIEVE. MORE THAN 50% RETAINED ON NO. 200 SIEVE.
IV	ML	INORGANIC SILTS, VERY FINE SANDS, ROCK FLOUR, SILTY OR CLAYEY FINE SANDS. LIQUID LIMIT 50% OR LESS, 50% OR MORE PASSES NO. 200 SIEVE
	CL	INORGANIC CLAYS OF LOW TO MEDIUM PLASTICITY, GRAVELLY CLAYS, SANDY CLAYS, SILTY CLAYS, LEAN CLAYS. LIQUID LIMIT 50% OR LESS, 50% OR MORE PASSES NO. 200 SIEVE
	MH	INORGANIC SILTS, MICACEOUS OR DIATOMACEOUS FINE SANDS OR SILTS, ELASTIC SILTS. LIQUID LIMIT GREATER THAN 50%, 50% OR MORE PASSES NO. 200 SIEVE.
	CH	INORGANIC CLAYS OF HIGH PLASTICITY, FAT CLAYS. LIQUID LIMIT GREATER THAN 50%, 50% OR MORE PASSES NO. 200 SIEVE.



FLEXIBLE PIPE IN TRAFFIC AREAS

NOT TO SCALE



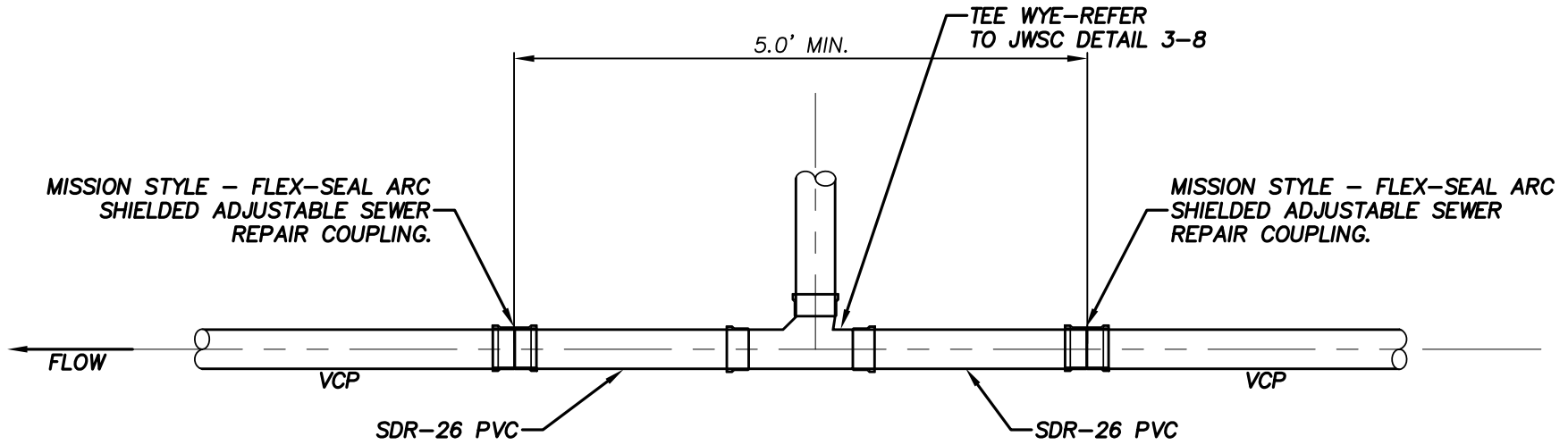
**BRUNSWICK-GLYNN COUNTY
JOINT WATER & SEWER
COMMISSION**

700 Gloucester Street, Suite 300 Phone: (912) 261-7110
Brunswick, Georgia 31520 Fax: (912) 261-7178
Website: www.bgjwsc.org

TRENCH DETAIL - FLEXIBLE PIPE

JWSC STANDARD DETAIL 3-11B

Date: FEBRUARY 2012



- NOTE:
1. CONTRACTOR TO CUT AND REMOVE A MIN 5.0' SECTION OF THE EXISTING VCP. THE CONTRACTOR MEASURES AND MARKS WHERE THE PIPE NEEDS TO BE CUT. THE CONTRACTOR WILL UTILIZE A RECIPROCATING SAW, HACK SAW, SNAP CUTTER OR ANGLE GRINDER TO ACCOMPLISH THE CUT.
 2. CONTRACTOR TO COORDINATE PLUGGING OF ACTIVE SEWER MAINS WITH THE UTILITY INSPECTOR AND SYSTEM PUMPING AND MAINTENANCE. IN SOME CASES A BY-PASS MAY BE REQUIRED.
 3. WASTEWATER DISCHARGING INTO THE TRENCH WILL BE COLLECTED BY A VAC-CON STYLE TRUCK AND DISCHARGED AT A JWSC WASTEWATER POLLUTION CONTROL PLANT.

NOT TO SCALE



**BRUNSWICK-GLYNN COUNTY
JOINT WATER & SEWER
COMMISSION**

1703 Gloucester Street Phone: (912) 261-7110
 Brunswick, Georgia 31520 Fax: (912) 261-7178
 Website: www.bgjwsc.org

SEWER TAP ON EXISTING VCP

JWSC STANDARD DETAIL 3-12

Date: JUNE 2018