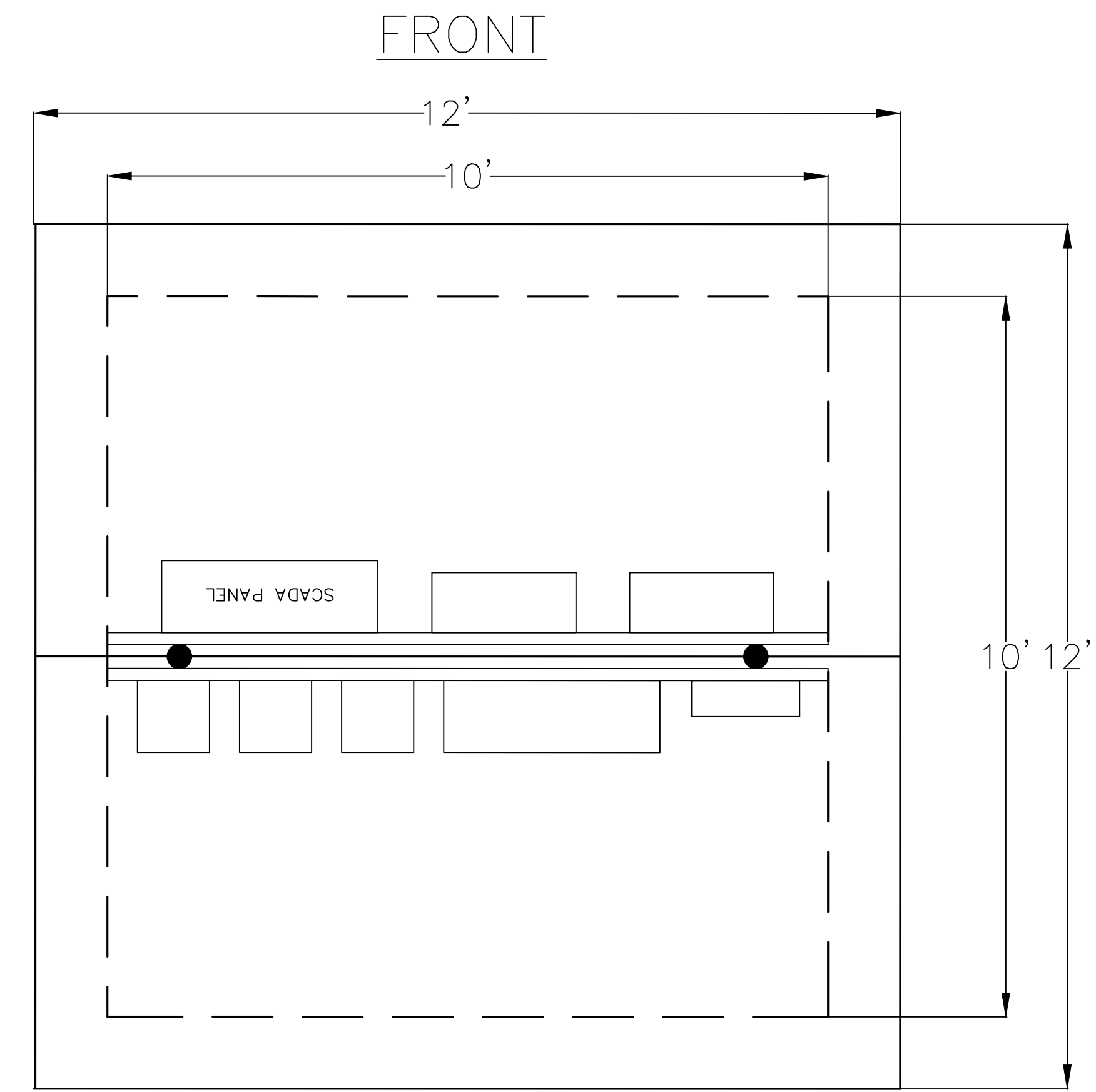
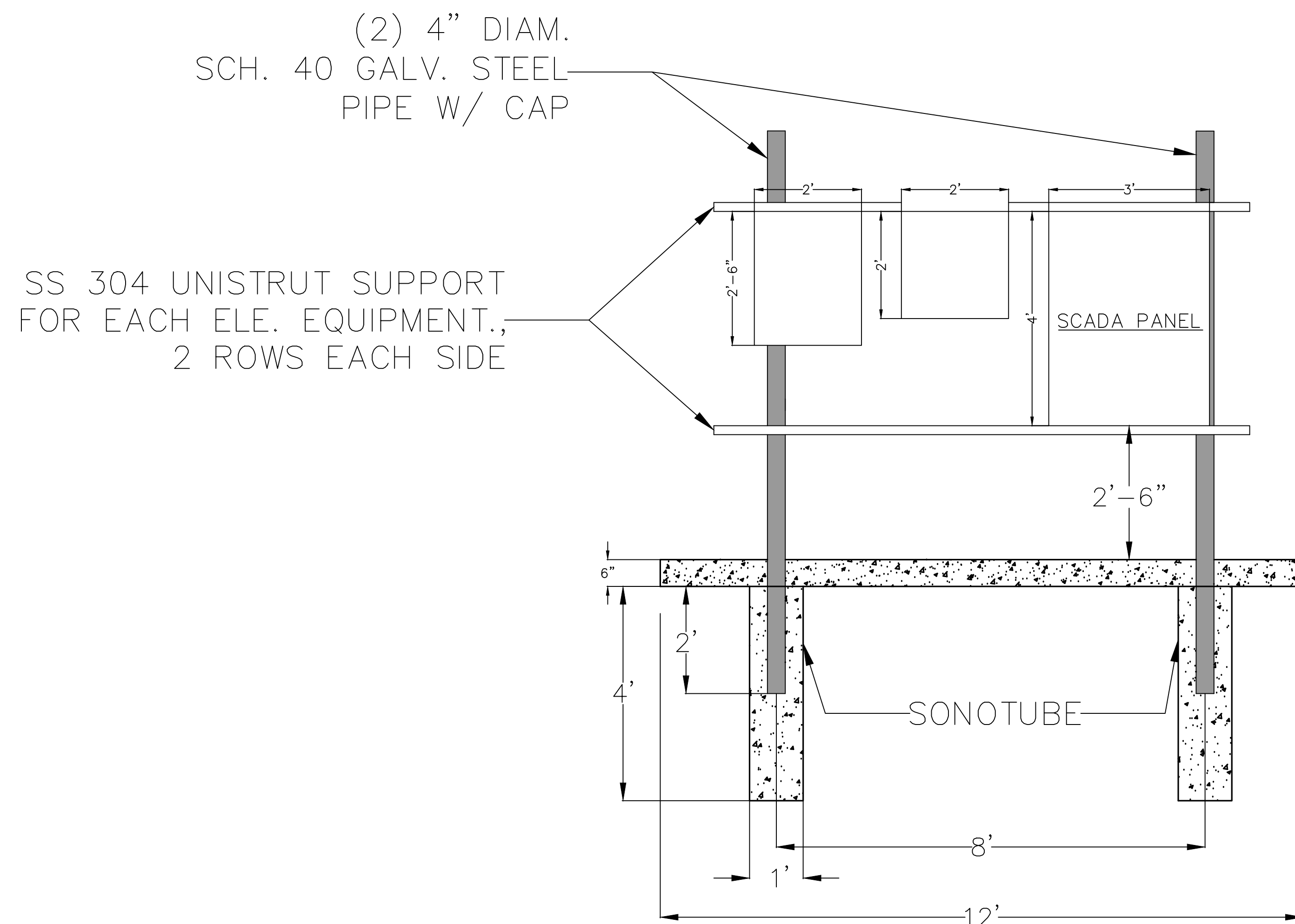


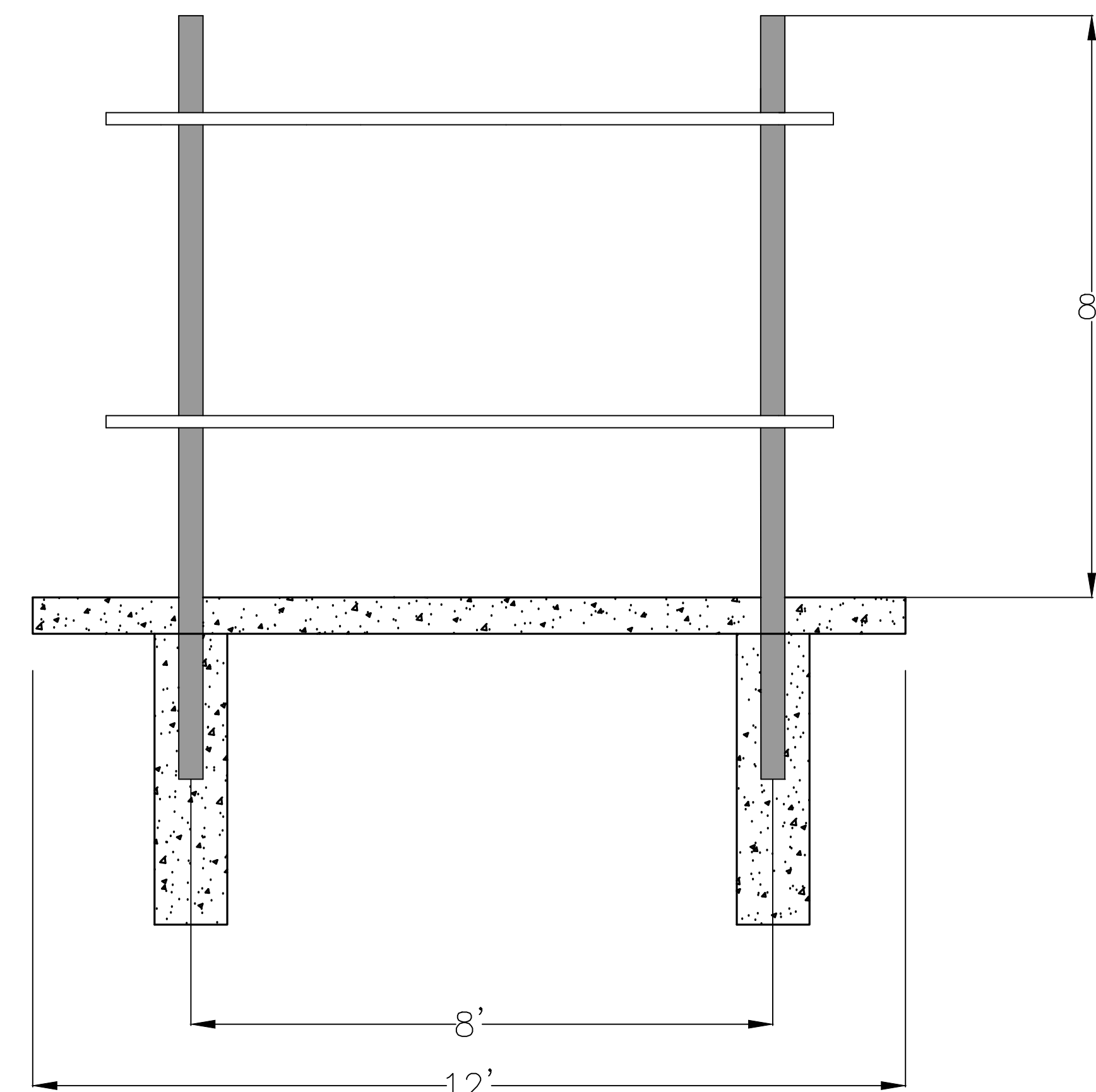
- GENERAL NOTES:
- UNMARKED PANELS ARE FOR GENERAL REFERENCE ONLY AND NOT TO BE SUPPLIED OR INSTALLED PER THIS PROJECT.
  - STAINLESS STEEL 304 UNISTRUT TO BE INSTALLED IN 10' SPANS.
  - ALL MOUNTING HARDWARE TO BE MIN. 304 STAINLESS STEEL ALL THREAD ALONG WITH NUTS AND WASHERS.
  - TOP OF SONOTUBE TO BE INSTALLED 6" BELOW PLANNED FINISH GRADE OF CONCRETE SLAB.



BACK  
ELECTRICAL SHED PLAN VIEW



ELECTRICAL LAYOUT FRONT



ELECTRICAL LAYOUT BACK



BRUNSWICK-GLYNN COUNTY  
JOINT WATER & SEWER COMMISSION  
PLANNING & CONSTRUCTION DIVISION  
1703 Gloucester Street  
Brunswick, Georgia 31520  
(912) 261-7110 Phone  
(912) 261-7178 Fax  
www.jgwsc.org

NO.	DATE	COMMENTS

REVISIONS

GLYNN COUNTY, GEORGIA  
BRUNSWICK-GLYNN COUNTY JOINT WATER & SEWER COMMISSION  
JWSC SCADA PANEL DETAILS

FILE NO:	DATE: SEP 02, 2020	SCALE: AS SHOWN	DRAWN BY: HIP
----------	--------------------	-----------------	---------------

SHEET NO.:



**CALL BEFORE YOU DIG!**  
At least 72 hours prior to commencement of the work, the Contractor is responsible for calling the Utilities Protection Center (UPC) at 1-800-282-7411, to request underground utility locate service.