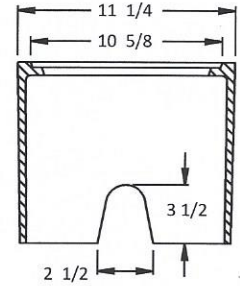
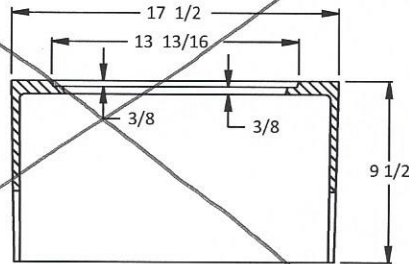


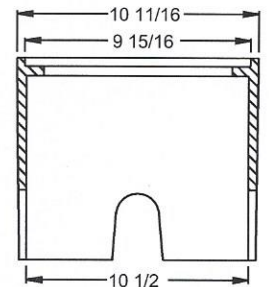
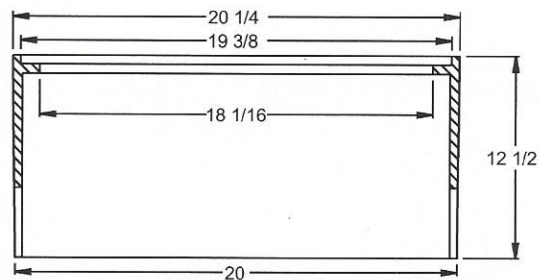
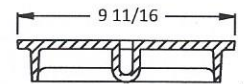
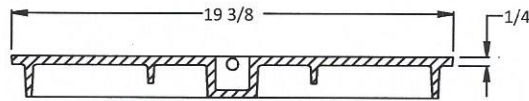
**ITEM # : 6401 - 6407 OVAL METER BOX EQ. B85 / B86**



ITEM #	DESCRIPTION
6401	OVAL BODY ONLY FOR EQ. B85 OR B86
6402	EQ. B85 OVAL BODY W/ LOCKING LID
6403	EQ. B86 OVAL BODY W/ PLAIN LID ONLY
6404	LOCKING LID ONLY FOR EQ. B85 OVAL BODY
6405	PLAIN LID ONLY FOR EQ. B86 OVAL BODY
6406	EQ. B85 OVAL BODY W/ KEYHOLE LID
6406L	EQ. B86 OVAL BODY KEYHOLE LID ONLY
6407	EQ. B85 LOCKING LID ONLY W/ RH FOR OVAL BODY

**Material** : Cast Iron, ASTM A48, Class 30B  
**Dimensions** : All are in Inch

**ITEM # : 6408 - 6413 METER BOX MBX - EQ. #1**



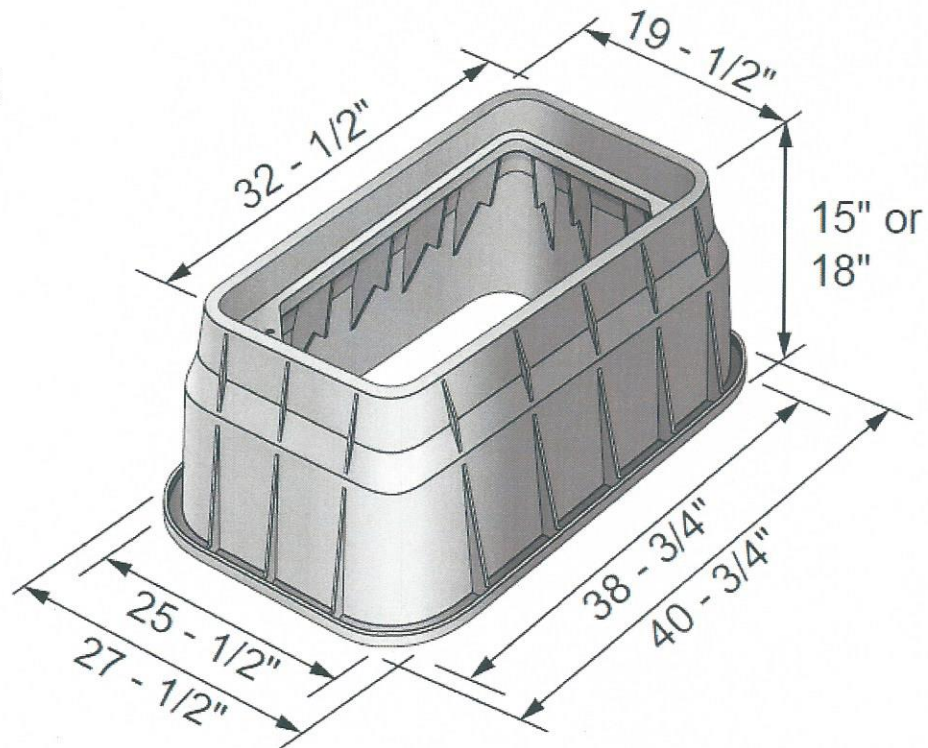
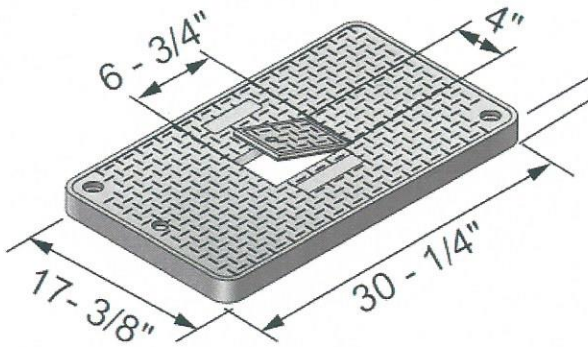
ITEM #	DESCRIPTION
6408	EQ. MBX-1 COMPLETE SET
6409	EQ. MBX-1 LID ONLY
6413	EQ. MBX-1 COMPLETE SET WITH R HOLE
6413L	EQ. MBX-1 LID ONLY WITH READER HOLE

**Material** : Cast Iron, ASTM A48, Class 30B  
**Dimensions** : All are in Inch



## 126BCDMB

17" x 30" x 18" Box, Bolt-Down Drop-in Plastic with Plastic Reader Cover – Water Meter



The NDS 17" x 30" meter boxes and cover are injection molded of structural foam polyolefin material with a melt index between 10-12. Coloring and UV stabilizers are added, along with processing lubricants when needed. The 17" x 30" body is tapered and has a minimum wall thickness of 0.32". The body has a double wall at the top cover seat area with a minimum thickness of 0.32". The cover seat area has 20 structural support ribs on the underside of the seat, each with a minimum thickness of 0.25". The bottom of the body has a 1" flange. The 17" x 30" cover has an average thickness of 0.35". The meter box has a 3/8" 304SS nut for the bolt-down as a standard feature.



### Class A

- Loads of 1-60 psi.
- Recommended for pedestrians, bicycles and wheel chair traffic.