

GENERAL NOTES:

PRECAST CONCRETE TANKS TO BE MANUFACTURED IN ACCORDANCE WITH ASTM C1613 "STANDARD SPECIFICATION FOR PRECAST CONCRETE GREASE INTERCEPTOR TANKS.

THE INTERIOR SURFACES OF THE TANK SHALL BE SEALED WITH CONSEAL CS55 OR AN EQUIVALENT MOISTURE BARRIER SEAL. THE TANK INTERIOR SHALL BE LIGHT GRAY OR WHITE IN COLOR.

ALL PIPE AND FITTINGS SHALL BE TYPE I SCHEDULE 40 PVC MEETING THE REQUIREMENTS OF ASTM D2665.

INLET AND OUTLET PIPES SHALL BE SEALED WITH A CAST IN PLACE LOW-PRESSURE PIPE SEAL OR EQUIVALENT NEOPRENE GASKET, FLEXIBLE SILICON ADHESIVE OR CEMENT.

THE SAMPLE PORT SHALL CONSIST OF A 6"X4" OR 6"X6" PVC CROSS DEPENDING UPON THE OUTLET PIPE SIZE. VALVE BOX TO HAVE THE WORD "SEWER" STAMPED ON THE LID.

ACCESS TUBES OR RISERS SHALL BE HIGH DENSITY POLYETHYLENE (HDPE) PIPE CONFORMING TO ASTM D1248 (TYPE III C, CATEGORY 5, P34) OR PRECAST CONCRETE SEALED AS NOTED ABOVE.

MANHOLE FRAME AND COVERS SHALL BE MANUFACTURED FROM DUCTILE IN ACCORDANCE WITH ISO 1083, RATED AT H20 LOADING.

SEE SECTION 5 OF THE JWSC STANDARDS FOR WATER AND SEWER DESIGN AND CONSTRUCTION.

NOT TO SCALE



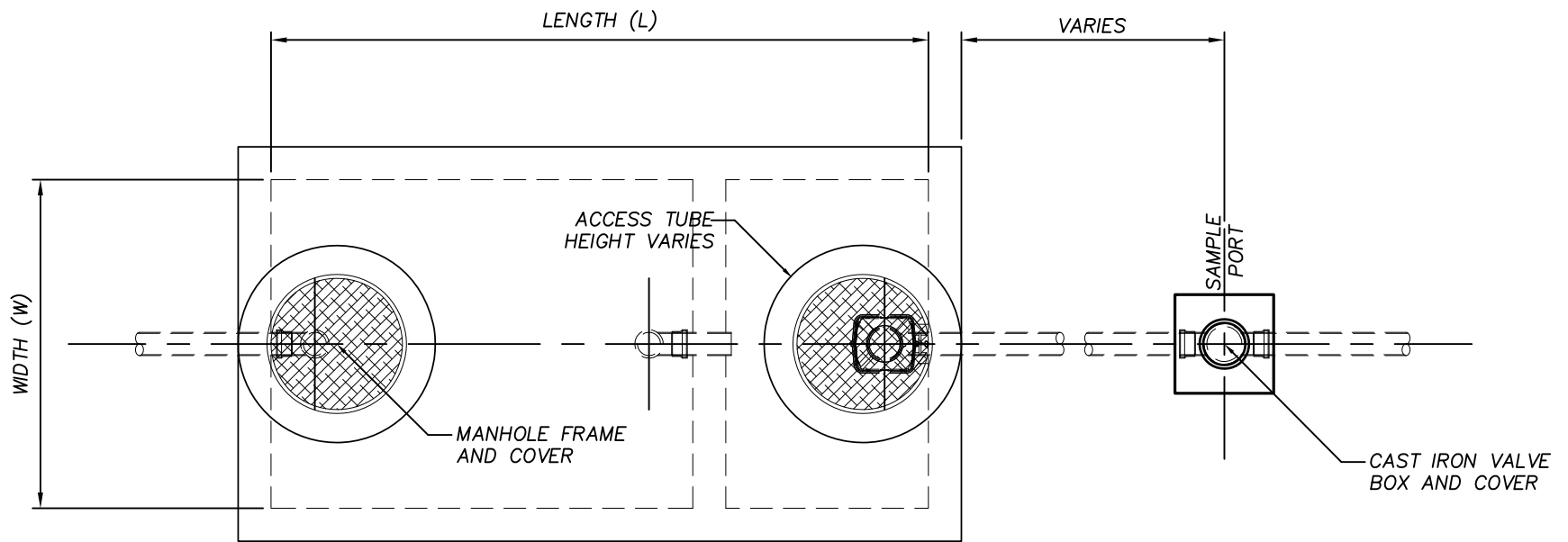
BRUNSWICK-GLYNN COUNTY
JOINT WATER & SEWER
COMMISSION

700 Gloucester Street, Suite 300 Phone: (912) 261-7110
Brunswick, Georgia 31520 Fax: (912) 261-7178
Website: www.bgjwsc.org

PRECAST GREASE TRAP - GENERAL NOTES

JWSC STANDARD DETAIL 5-1

Date: AUGUST 2011



NOT TO SCALE



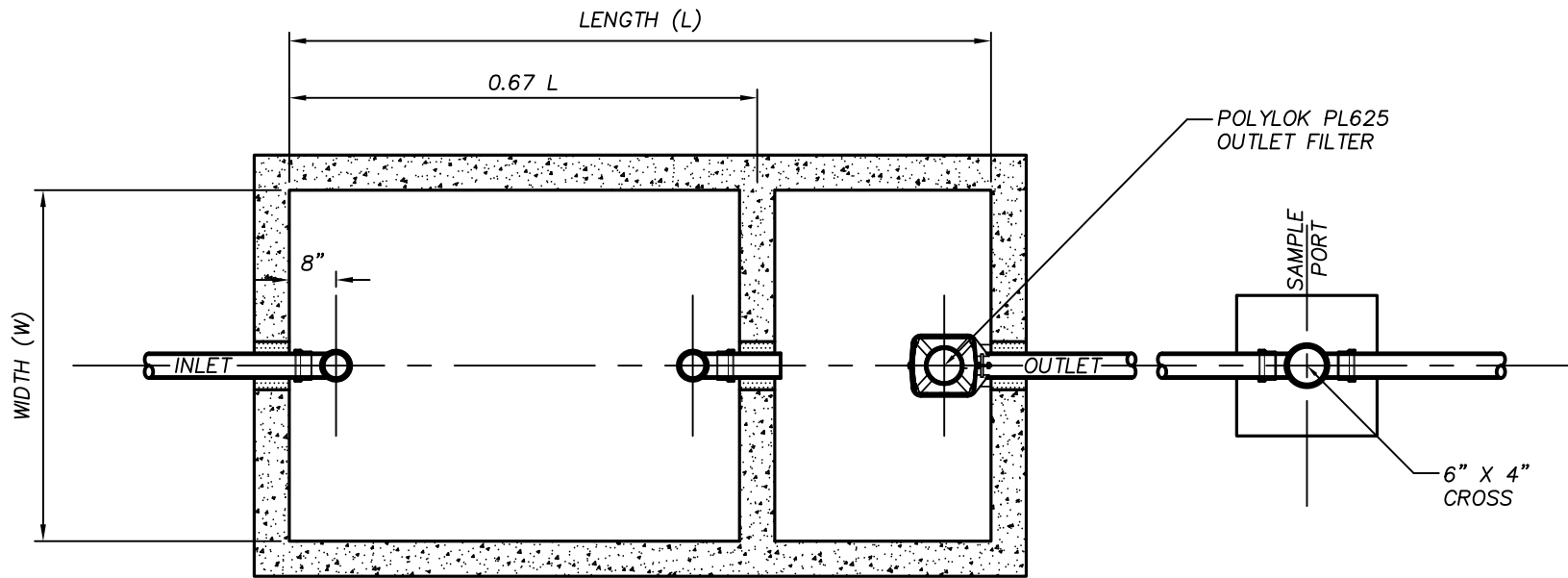
**BRUNSWICK-GLYNN COUNTY
JOINT WATER & SEWER
COMMISSION**

700 Gloucester Street, Suite 300 Phone: (912) 261-7110
Brunswick, Georgia 31520 Fax: (912) 261-7178
Website: www.bgjwsc.org

PRECAST GREASE TRAP - TOP PLAN

JWSC STANDARD DETAIL 5-2

Date: AUGUST 2011



NOT TO SCALE



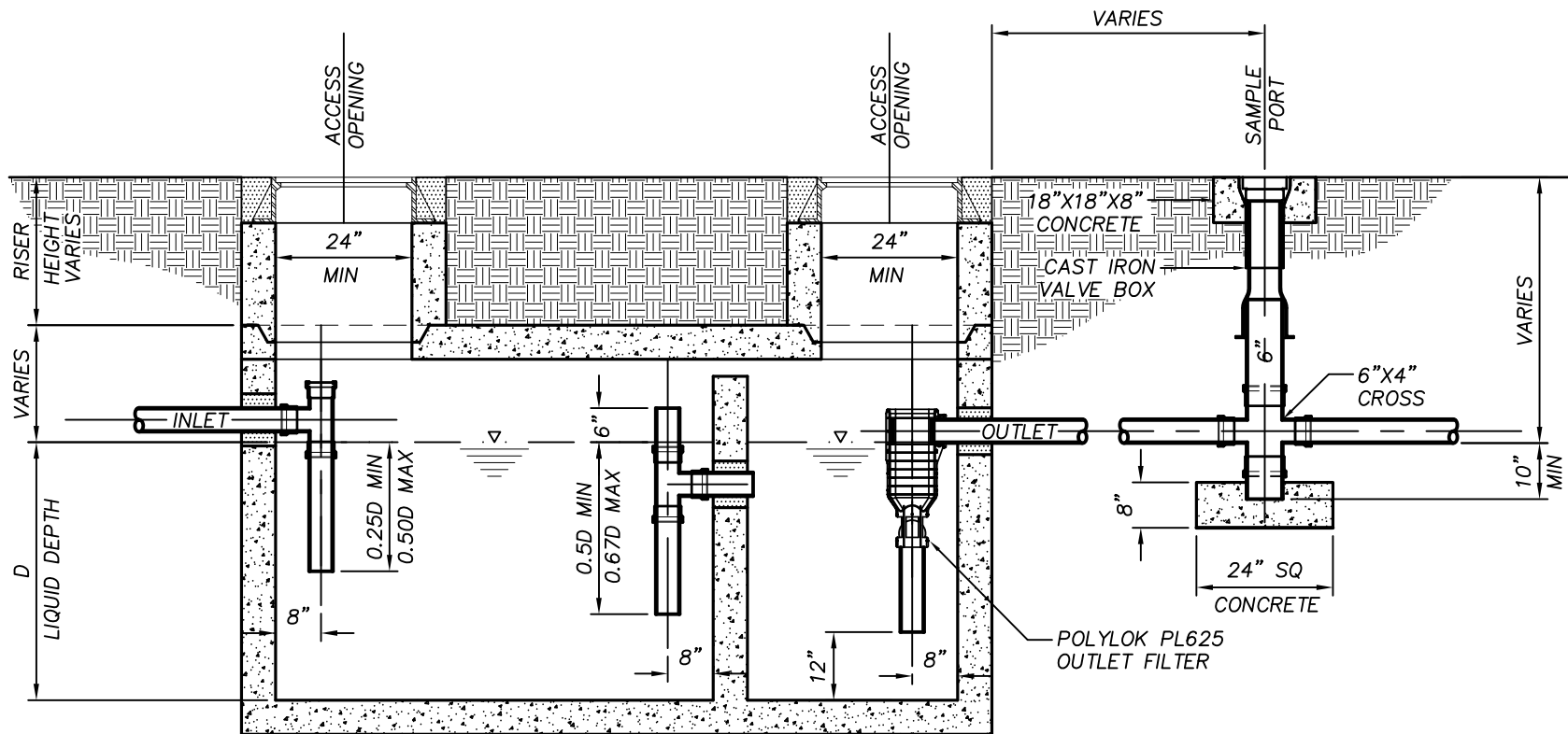
**BRUNSWICK-GLYNN COUNTY
JOINT WATER & SEWER
COMMISSION**

700 Gloucester Street, Suite 300 Phone: (912) 261-7110
Brunswick, Georgia 31520 Fax: (912) 261-7178
Website: www.bgjwsc.org

PRECAST GREASE TRAP - WALL PLAN

JWSC STANDARD DETAIL 5-3

Date: AUGUST 2011



NOT TO SCALE



BRUNSWICK-GLYNN COUNTY
 JOINT WATER & SEWER
 COMMISSION

700 Gloucester Street, Suite 300 Phone: (912) 261-7110
 Brunswick, Georgia 31520 Fax: (912) 261-7178
 Website: www.bgjwsc.org

PRECAST GREASE TRAP - SECTION

JWSC STANDARD DETAIL 5-4

Date: AUGUST 2011