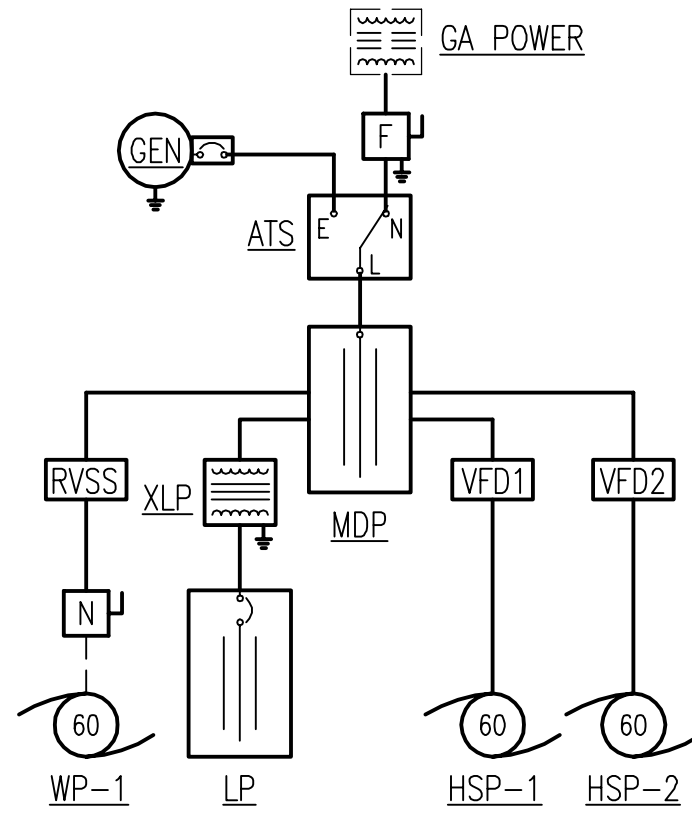


**MECHANICAL NOTES:**  
(THIS SHEET ONLY)

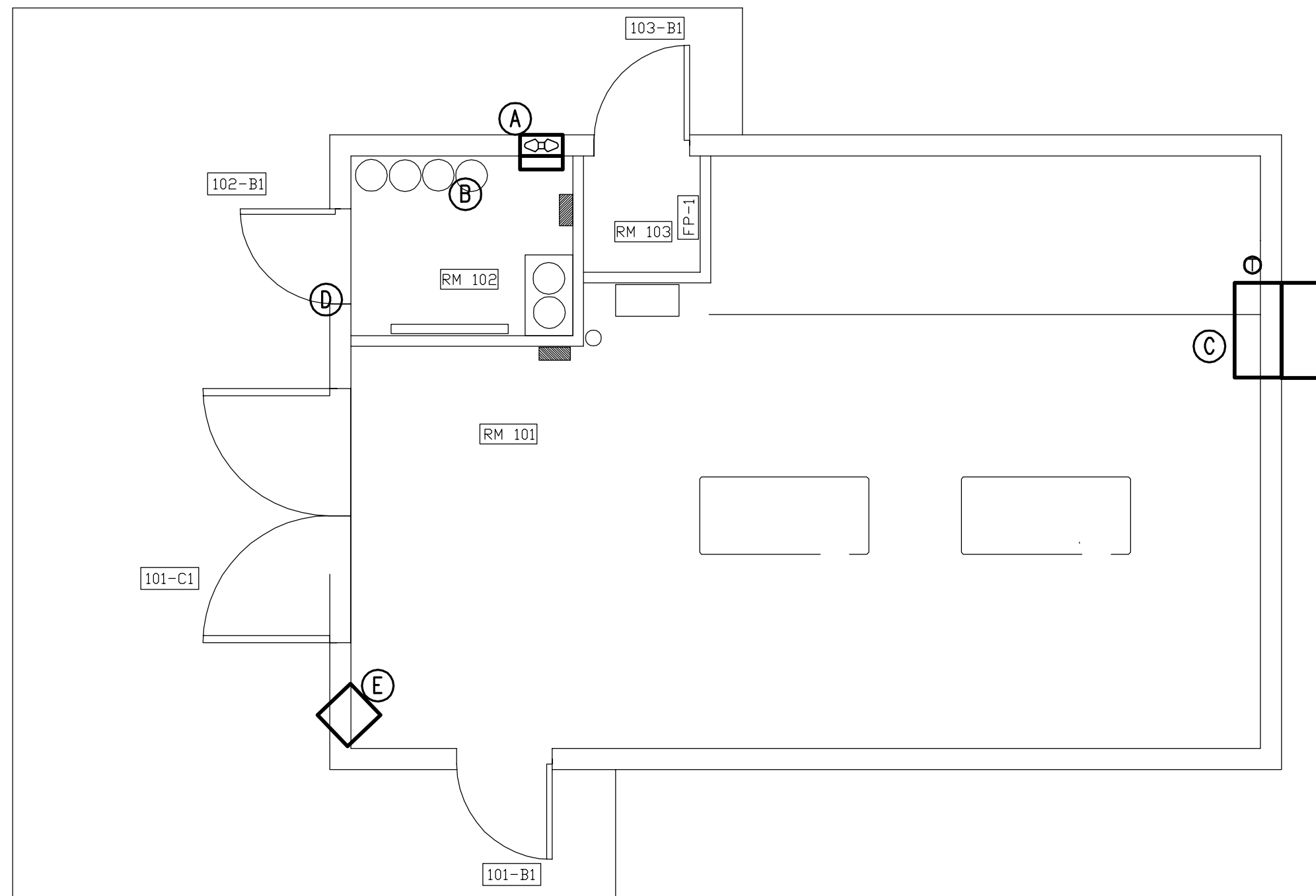
- (A) EF-2 MOUNT MAXIMUM OF 12" AFF.
- (B) INSTALL ELECTRIC WALL HEATER UH-1 ABOVE EXHAUST FAN.
- (C) EF-1 PROVIDE WITH LINE VOLTAGE COOLING THERMOSTAT FOR CONTROL.
- (D) PROVIDE WALL SWITCH FOR CONTROL OF EF-2. ROUTE CONTROL THROUGH CHLORINE GAS SENSOR CONTROLLER. CONTROLLER SHALL OPERATE EXHAUST FAN. WHENEVER CHLORINE IS SENSED ABOVE ALLOWABLE LEVELS.
- (E) MOUNTED UH-2 MIN. 7" AFF.



FLOW TRANSMITTER FIT-1 TO BE RELOCATED  
N.T.S.



**ONE-LINE DIAGRAM - NEW WORK**  
SCALE: NONE

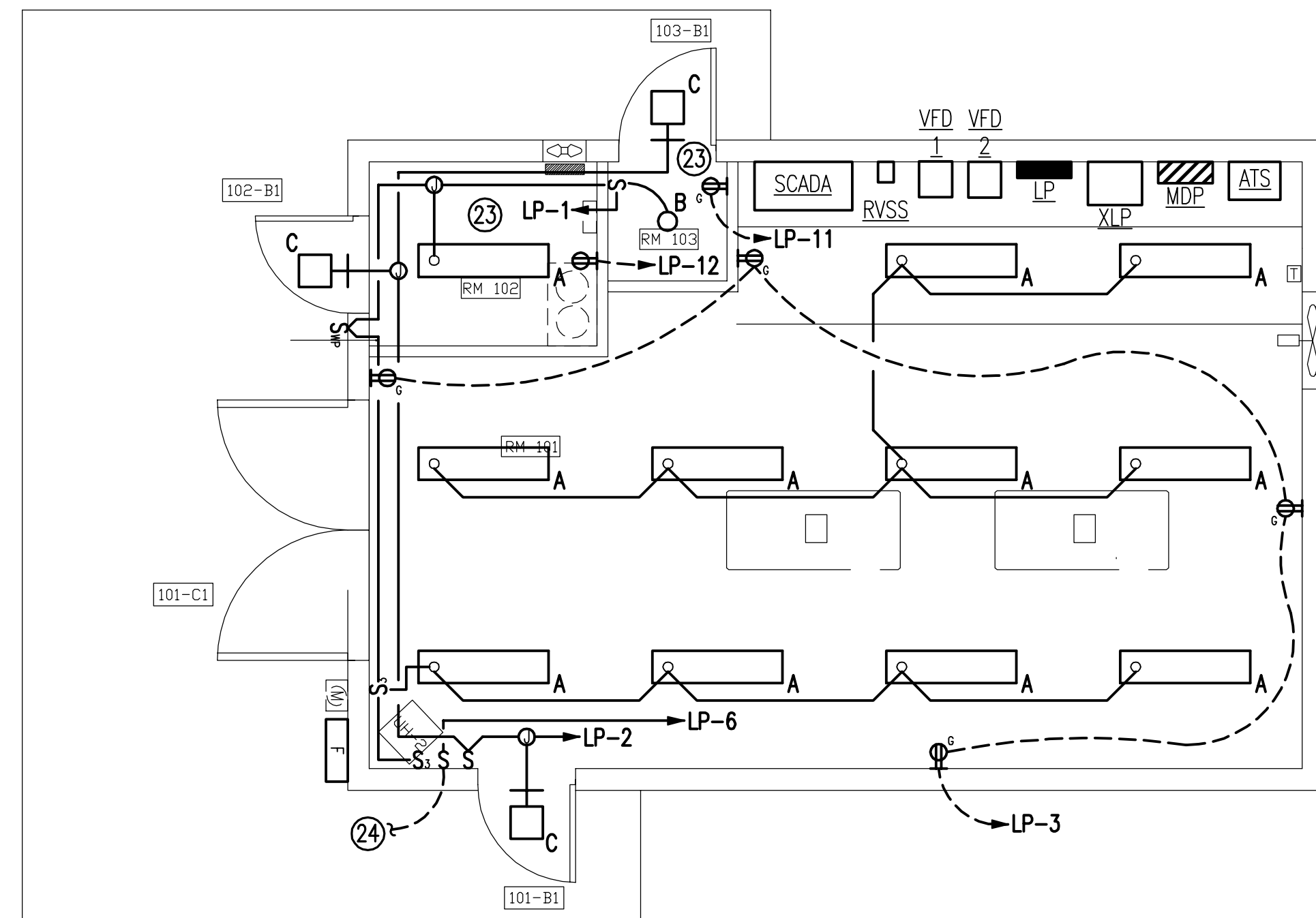


**MECHANICAL FLOOR PLAN - NEW WORK**

SCALE: 1/4" = 1'-0"

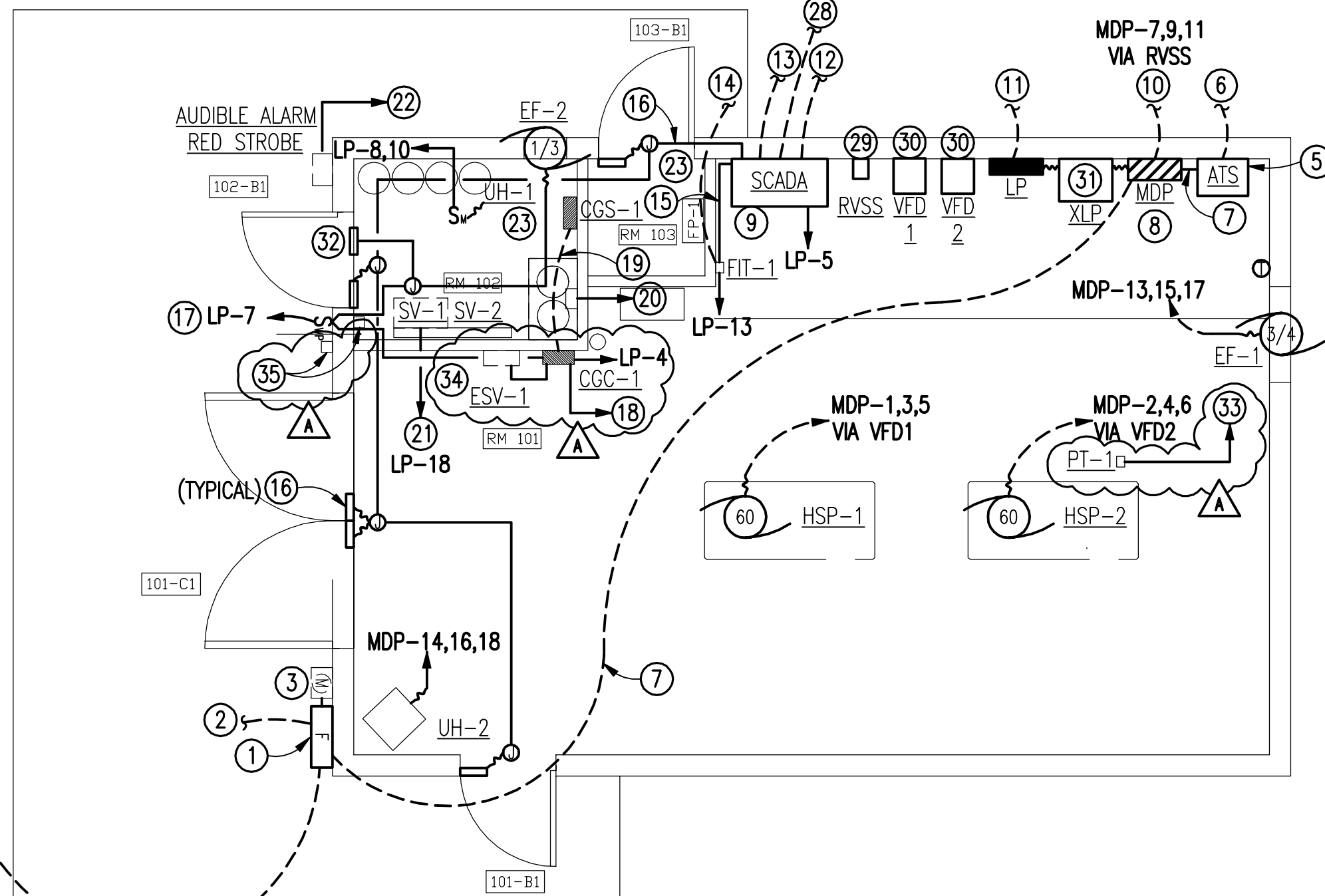
**ELECTRICAL NOTES:**  
(THIS SHEET ONLY)

- 1 400A/3P NEMA 3R FUSED SERVICE ENTRANCE RATED DISCONNECT SWITCH FUSED AT 400A. PROVIDE ALL APPURTENANCES REQUIRED FOR SERVICE ENTRANCE RATING.
- 2 INSTALL 4#500KCMIL, 3-1/2" C. SERVICE ENTRANCE TO GEORGIA POWER TRANSFORMER.
- 3 METERING CT CABINET. COORDINATE WITH GEORGIA POWER FOR METERING EQUIPMENT. INSTALL CONDUIT, CONDUCTORS, GROUNDING AND METERING EQUIPMENT PER GEORGIA POWER REQUIREMENTS.
- 4 GROUNDING COUNTERPOISE: THREE GROUND RODS ON 10' MINIMUM SPACING. CONNECTIONS SHALL BE EXOTHERMIC. CONNECT RODS WITH 2/0 AWG BARE COPPER. ROUTE 2/0 AWG TO SERVICE ENTRANCE SWITCH AND BOND PER NEC.
- 5 400A/3P AUTOMATIC TRANSFER SWITCH WITH SOLID NEUTRAL.
- 6 4#250KCMIL, #4G, 2-1/2" C. AND #14 AS REQUIRED; 1" C. FOR CONTROLS FROM GENERATOR.
- 7 4#500KCMIL, #2G, 3-1/2" C.
- 8 MAIN DISTRIBUTION PANEL "MDP." SEE SCHEDULE, SHEET ME-2.
- 9 NEW SCADA RTU PER JWSC STANDARDS BY DATA FLOW SYSTEMS, INC. CONTACT RANDY WYATT, (321) 259-5009. SEE SCADA RTU INSTALLATION DETAIL, SHEET ME-1.
- 10 TO EXISTING 60HP WELL PUMP WP-1. SEE PANEL SCHEDULE AND ELECTRICAL SITE PLAN.
- 11 TO GENERATOR FOR BATTERY CHARGER AND JACKET HEATER. SEE PANELBOARD LP SCHEDULE.
- 12 ANTENNA CABLE PER DATA FLOW SYSTEMS, INC.; 1" C. TO SCADA ANTENNA.
- 13 3/4" C. TO ABOVE GROUND TANK WITH 2#14 FOR HL-1, 2#14 FOR LL-1 AND (1) BELDEN 8760 CABLE FOR LT-1. SEE ELECTRICAL SITE PLAN, SHEET ME-4 AND DETAIL, SHEET ME-1.
- 14 ABB WATERMASTER SENSOR CABLE; 3/4" C. TO FLOW METER FM-1. MAKE CONNECTIONS PER EQUIPMENT MANUFACTURER'S INSTRUCTIONS.
- 15 FLOW TRANSMITTER FIT-1 RELOCATED FROM EXISTING BUILDING. (1) BELDEN 8760 SIGNAL CABLE; 1/2" C. TO SCADA RTU FOR ANALOG FLOW RATE. MAKE CONNECTIONS PER EQUIPMENT MANUFACTURER'S INSTRUCTIONS.
- 16 2#14; 1/2" C. TO SCADA RTU FOR 24VDC DIGITAL INTRUSION DETECTION. DOOR SWITCHES SHALL BE SECO-LARM# SM-200Q/W MAGNETIC REED SWITCH. REED SWITCH SHALL BE CLOSED WHEN DOOR IS CLOSED. SEE DETAIL, SHEET ME-1.
- 17 SEE CHLORINE ROOM EF-2 CONTROL DETAIL, SHEET ME-1.
- 18 2#14; 1/2" C. USE CGC-1 RELAY 2 CONTACTS FOR CHLORINE LEAK ALARM TO SCADA RTU. MAKE CONNECTIONS PER EQUIPMENT MANUFACTURER'S INSTRUCTIONS. SEE DETAIL, SHEET ME-1.
- 19 (1) BELDEN 8760 SIGNAL CABLE; 1/2" C. FOR CHLORINE SENSOR. MAKE CONNECTIONS PER CHLORINE GAS EQUIPMENT MANUFACTURER'S INSTRUCTIONS. TERMINATE CABLE SHIELD ONLY AT CONTROLLER.
- 20 (1) BELDEN 8760 SIGNAL CABLE; 1/2" C. TO SCADA RTU FOR ANALOG CHLORINE TANK WEIGHT.
- 21 ROUTE 4#14; 1/2" C. TO SCADA RTU TO OPERATE SV-1 AND SV-2. SEE PANELBOARD LP SCHEDULE FOR 120V CONTROL POWER. SEE SV-1 & SV-2 DETAIL, SHEET ME-1.
- 22 ROUTE 3/4" C. TO CGC-1 WITH (1) BELDEN 8760 SIGNAL CABLE FOR AUDIBLE ALARM DEVICE AND 2#14 FOR RED STROBE LIGHT. MOUNT AUDIBLE ALARM AND RED STROBE ON EXTERIOR WALL 7' ABOVE FINISHED GRADE. SEE PANELBOARD LP SCHEDULE FOR 120V CONTROL POWER. SEE DETAIL, SHEET ME-1.
- 23 ALL EXPOSED ELECTRICAL CONDUIT, BOXES, FITTINGS, ETC. IN ROOMS 102 AND 103 SHALL BE CORROSION RESISTANT: PVC WITH STAINLESS STEEL HARDWARE OR APPROVED EQUAL.
- 24 TO POLE-MOUNTED AREA LIGHTS. SEE PANELBOARD LP SCHEDULE, SHEET ME-2 AND ELECTRICAL SITE PLAN, SHEET ME-4.
- 25 ROUTE 2#14; 3/4" C. FROM SUMP HIGH LEVEL FLOAT SWITCH, HL-2 TO SCADA RTU.
- 26 INSTALL RECEPTACLE HIGH ON INTERIOR WALL OF SUMP.
- 27 #2/0 BARE COPPER TO NEW SCADA MAST.
- 28 4#14; 3/4" C. TO GENERATOR FOR STATUS SCADA INPUT
- 29 DANFOSS MCD202-045-T6-CV1 60HP RVSS SOFT STARTER IN A NEMA 1 ENCLOSURE.
- 30 DANFOSS FC302 60HP VFD IN A NEMA 1 ENCLOSURE.
- 31 15KVA 480V-208Y/120V DRY TYPE TRANSFORMER. GROUND PER NEC. ROUTE 4#6, #10G; 1" C. TO PANELBOARD LP.
- 32 MAGNETIC REED SWITCH TO OPERATE CHLORINE ROOM EXHAUST FAN WHEN DOOR IS OPENED. SEE CHLORINE ROOM EF-2 CONTROL DETAIL, SHEET ME-1.
- 33 (1) BELDEN 8760 SIGNAL CABLE; 1/2" C. TO SCADA RTU FOR HSP-2 DISCHARGE PRESSURE.
- 34 ROUTE INDIVIDUAL RUNS OF 2#14; 1/2" C. FROM ESV-1 TO EACH CHLORINE CYLINDER VALVE ACTUATOR, TO TWO EMERGENCY CHLORINE STOP BUTTONS AND TO CGC-1. MAKE CONNECTIONS PER MANUFACTURER'S INSTRUCTIONS.
- 35 INSTALL (2) EMERGENCY CHLORINE STOP BUTTONS; (1) INSIDE AND ONE OUTSIDE.



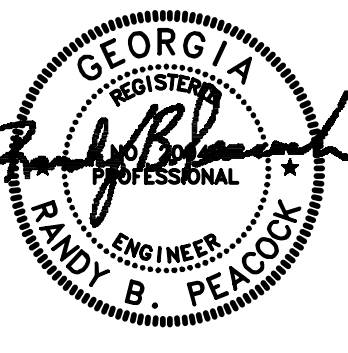
**ELECTRICAL LIGHTING & MISC. POWER PLAN - NEW WORK**

SCALE: 1/4" = 1'-0"



**ELECTRICAL POWER & CONTROLS PLAN - NEW WORK**

SCALE: 1/4" = 1'-0"



**Elmo A. Richardson, Jr., P.E., LLC**  
4875 BRIDGE DRIVE, SUITE 101  
DUNWOODY, GA 30346  
PHONE: 478.257.9193  
FAX: 478.257.9193  
CONSULTING ENGINEERS

NO.	DATE	COMMENTS
A	04/07/15	ADD PT-1 AND CHLORINE SYSTEM MODIFICATIONS

**BRUNSWICK - GLYNN COUNTY  
JOINT WATER & SEWER COMMISSION  
HAMPTON POINT WATER PRODUCTION FACILITY  
PUMP BUILDING MECHANICAL & ELECTRICAL PLAN**

PROJECT NO: JWSC PROJECT# SS-2013-0010  
DATE: MAY, 2014  
SCALE: AS SHOWN  
DRAWN/CHECKED BY: EGR/BJP  
SHEET NO. **ME-3**

